

GDO-8v2 EasyRoller®

Weather Resistant Roll Up Garage Door Opener

Designed for the rigours of the Australian climate, the **GDO-8v2 EasyRoller®** is the only weather resistant garage door opener that comes standard with a keyed lockout.

IP24 Weather Resistant Housing

A rubber seal between the outer housing halves, and a specially isolated control board, allows the **GDO-8v2 EasyRoller®** to be safely exposed to the elements.¹

Keyed Lockout - Fitted as Standard

Stopping the manual disengage from being used, the keyed lockout fitted standard to every **GDO-8v2 EasyRoller®** makes it secure even on perimeter mountings.

Lockable Keypad

The lockable keypad prevents operation of the door and the alteration of opener settings from the drive unit.

Slim Fit

From the door curtain a **GDO-8v2 EasyRoller®** requires only 40mm to the bracket and 80mm to the wall, making it ideal for carports, sheds and other narrow mounting environments.

Intelligent Safety System

If contact is made with an obstruction while moving, the **GDO-8v2 EasyRoller®** either stops or reverses the door.

Door Profiling

The **GDO-8v2 EasyRoller®** continually re-profiles the force needed to steadily and safely move the door through segments of open and close cycles. This increases safety as using only appropriate force permits quicker sensing of, and reaction to, obstructions in the door's path.

S-ALPS (Semi-Automatic Limits Positioning System)

S-ALPS combines the simplicity of cams style limits setting with electro-optical precision - just move the door to halfway, turn the datum screw and then set open and close positions! After this the door will stop millimetre perfect every time.

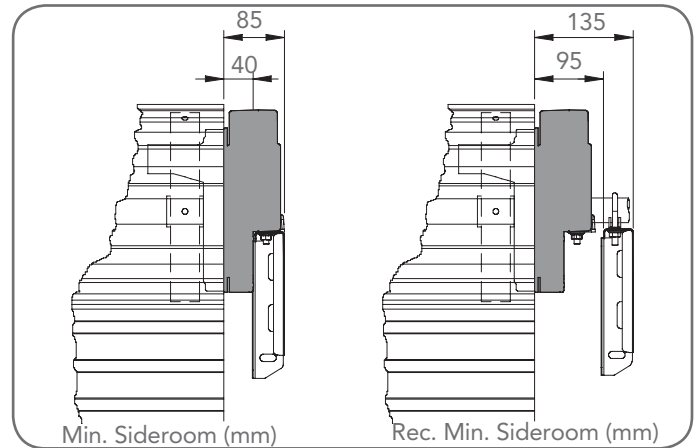
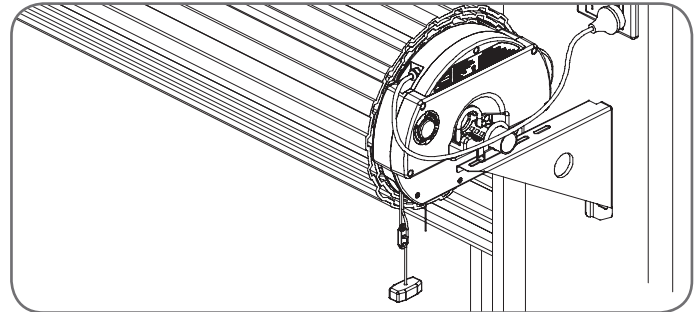
PG-3 Programmer Compatibility

Access diagnostic and special settings via a simple plug-in

¹ The drive unit should never be sprayed directly with water, e.g. from a hose.

² The door must be well balanced - an average person should be able to manually lift the door with ease in an emergency.

© February 2007 Automatic Technology (Australia) Pty Ltd. All rights reserved. SecuraCode® and EasyRoller® are trademarks of Automatic Technology (Australia) Pty Ltd. No part of this sheet may be reproduced without prior permission. In an ongoing commitment to product quality we reserve the right to change specification without notice. E&OE.



Specifications - GDO-8v2 EasyRoller® (Order Code #00081)

Input	230CVac - 240Vac 50Hz
Controller voltage:	24Vdc
Standby power	2.8W
Motor power	100W
Operating temperature	+5° to +40°C
² Max. door opening width height weight	5500mm 2700mm 100kg
Max Door Area	15m ²
Lifting force - Max	450N
Opener limits travel	3.25 turns of drum wheel
Weather Resistance Rating	IP 24
Receiver/Transmitter type	UHF 433.92 MHz am
Receiver storage capacity	8 x 4 button transmitters
Coding type	Code hopping (Non-linear encryption algorithm)
No. of code combinations	4.29+ billion random codes
Warranty	1 year parts warranty