

Symptom	Possible cause	Remedy
The opener does not work from the transmitter	The opener does not have power	Check the door's operation
One transmitter works but the others do not	Faulty transmitter	Replace transmitter
The door does not work from transmitter or operate button	The opener is disengaged	Re-engage the opener
The transmitter range varies or is restricted e.g. temperature or external interference	The battery life is exhausted	Replace battery
The door reverses for no apparent reason	This may occur occasionally from environmental conditions such as areas that are windy, dusty or have extreme temperature changes.	Ensure the door runs smoothly before increasing the force
Auto Close not working	Safety Beam or wiring faulty	Repair Safety Beam or replace wiring
The Open (Green) LED continues to flash	The Open (Green) LED and Close (Red) LED are flashing alternately	Clear away any obstructions and test door opens correctly. (If door is damaged, contact your door professional).
The Close (Red) LED continues to flash	Door obstructed when closing	Remove all power sources (including the battery backup). Wait till all lights are out (10-15 secs), then reconnect power. If Red LED is flashing, limits are not set. Reset Limits.
The Open (Green) LED continues to flash	Door obstructed when opening	Clear away any obstructions and test door opens correctly. (If door is damaged, contact your door professional).
Opener is overloaded	The Open (Green) LED and Close (Red) LED are flashing	Check the doors operation by disengaging the motor and ensuring the door runs smoothly. If necessary make door adjustments or contact your door professional.
A Fault has been detected. The fault will be started to flash and active each time an attempt is made to operate the door.	The SERVICE LED has started to flash and active each time an attempt is made to operate the door.	Record opener function (How many beeps?) then press the SET button once to reset the opener. If the fault continues to be tripped contact 1300 736 410 for support.
The door stops or moves very slowly	The batteries may have little to no charge	Connect mains power and leave the batteries to charge. The batteries may take 24 to 48 hours to reach their maximum charge capacity.
Auto Close not working	Safety Beam or wiring faulty	Repair Safety Beam or replace wiring
The door reverses for no apparent reason	This may occur occasionally from environmental conditions such as areas that are windy, dusty or have extreme temperature changes.	Ensure the door runs smoothly before increasing the force
The transmitter range varies or is restricted e.g. temperature or external interference	The battery life is exhausted	Replace battery
The door does not work from transmitter or operate button	The opener is disengaged	Re-engage the opener
One transmitter works but the others do not	Faulty transmitter	Replace transmitter
The door does not work from transmitter or operate button	The opener is disengaged	Re-engage the opener
The transmitter range varies or is restricted e.g. temperature or external interference	The battery life is exhausted	Replace battery
The door reverses for no apparent reason	This may occur occasionally from environmental conditions such as areas that are windy, dusty or have extreme temperature changes.	Ensure the door runs smoothly before increasing the force
Auto Close not working	Safety Beam or wiring faulty	Repair Safety Beam or replace wiring
The Open (Green) LED continues to flash	The Open (Green) LED and Close (Red) LED are flashing alternately	Clear away any obstructions and test door opens correctly. (If door is damaged, contact your door professional).
The Close (Red) LED continues to flash	Door obstructed when closing	Remove all power sources (including the battery backup). Wait till all lights are out (10-15 secs), then reconnect power. If Red LED is flashing, limits are not set. Reset Limits.

Troubleshooting Guide

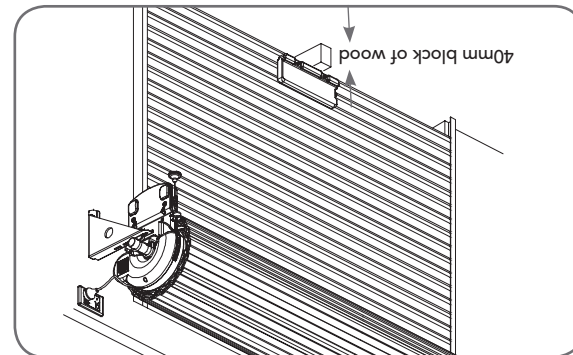
Important Safety Instructions

This automatic garage door opener is designed and tested to offer safe service provided it is installed and operated in strict accordance with the following safety rules. Failure to comply with the following instructions may result in death, serious personal injury or property damage.

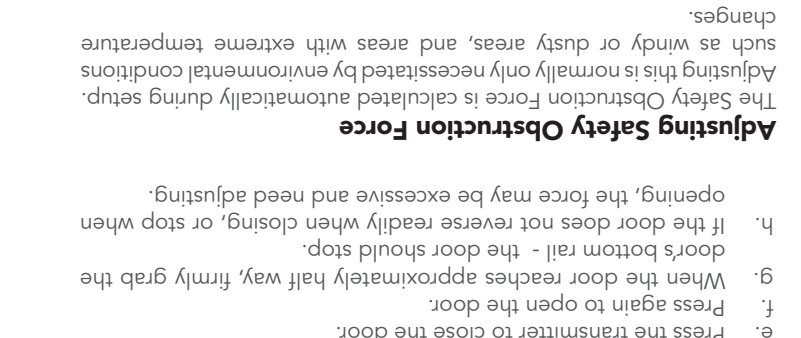
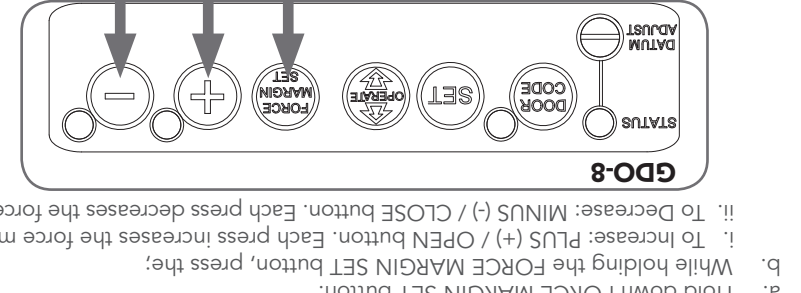
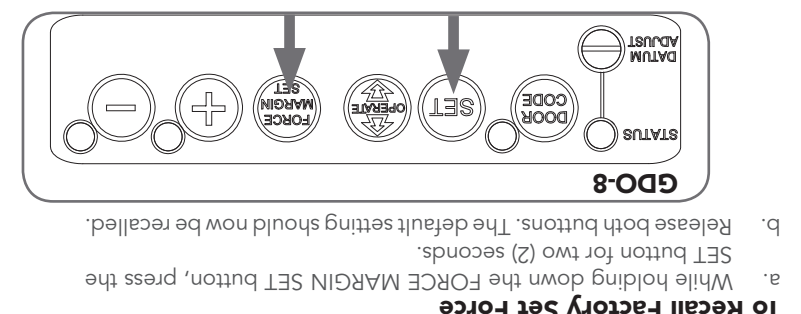
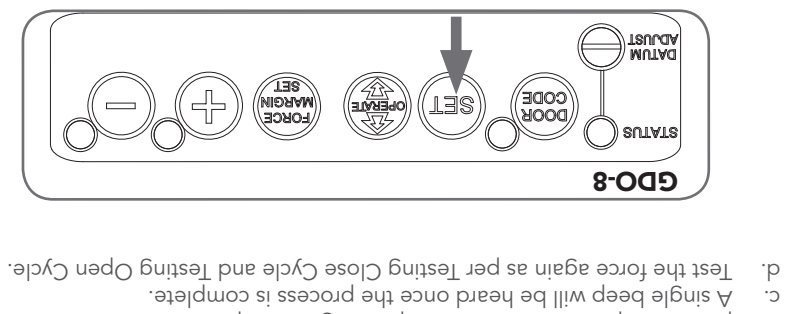
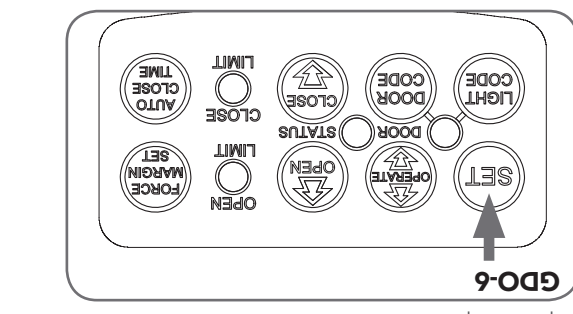
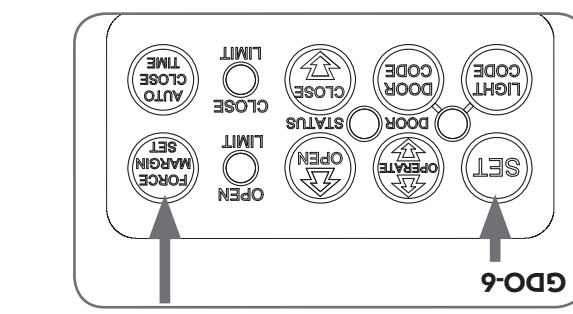
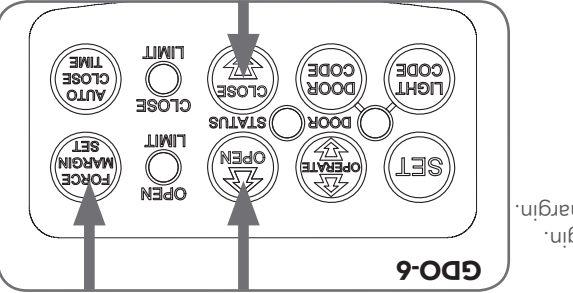
- WARNING!**
- The door may operate unexpectedly, therefore do not allow anything to stay in the path of the door.
 - When operating the manual release while the door is open, the door may fall rapidly due to weak or broken springs, or due to being improperly balanced.
 - The drive must not be used with a door incorporating a wicket door, unless the drive cannot be operated with the wicket door open.
 - The drive is intended to be installed at least 2.5m above the floor.
 - Do not disengage the opener to manual operation with children/persons or any objects including motor vehicles within the doorway.
 - If the door is closing and is unable to re-open when obstructed, discontinue use. Do not use a door with faulty obstruction sensing
 - When using auto close mode, a **Safety beam** must be fitted correctly and tested for operation at regular intervals. **Extreme caution** is recommended when using auto close mode. **All safety rules** must be followed.
 - Place opener in protected area so that it does not get wet.
 - Do not spray with water.
 - Disconnect the power cord** from mains power before making any repairs or removing covers. Only **experienced** service personnel should remove covers from the opener.
 - If the power supply cord is damaged, it **must** be replaced by an Automatic Technology service agent or suitably qualified person.
 - Connect the opener to a properly **earthed** general purpose 240V mains power outlet installed by a qualified electrical contractor.
- ELECTROCUTION!**
- CAUTION:** Emergency Access
- If garage has no pedestrian entrance door, an emergency access device should be installed. This accessory allows manual operation of the garage door from outside in case of power failure.
- Muscular strain
- Practice correct lifting techniques (carton weighs approx 9kgs)
 - Practice correct lifting techniques when required to lift the door as per installation instructions.
- Fall from ladder
- Ensure ladder is the correct type for job.
 - Ensure ladder is on flat ground.
 - Ensure user has 3 points of contact while on ladder.
- Crush injury from unsecured door
- Place a 2 metre exclusion zone around area under the door while it is unsecured.
 - Do not move under door while on door support (or ladder)
 - Follow the installation instructions
 - Fit door support (or ladder) snugly under door before removing bracket.
 - Ensure door support (or ladder) is on flat ground
- Garage Door
- Examine the door installation, in particular springs and mountings for signs of wear, damage and imbalance.
 - The garage door must be **well balanced**. Sticking or binding doors must be repaired by a qualified garage door installer prior to installation of the opener.
 - Remove or disengage** all garage door locks and mechanisms prior to installation of the opener.
 - Ensure the U-bolt on the opposite end to the motor is tight.
 - Never plug in and operate opener prior to installation.
 - Keep hands and loose clothing clear of door and guides at all times.
- Entanglement
- DO NOT** operate the opener unless the garage door is in full view and free from objects such as cars and children/people. Make sure that the door has finished moving before entering or leaving the garage
- Entrapment under operating door
- In order for the opener to **sense** an object obstructing the door way, some **force** must be exerted on the object. As a result the object, door and/or person may suffer **damage** or **injury**.
 - Ensure the garage door is in good working order by undertaking regular servicing.
 - Install the optional wall transmitter in a location where the garage door is visible, but out of the reach of children at a height of at least 1.5m.
 - Safety beams must be installed if the closing force at the bottom edge of the door exceeds 400N (40kg)

Safety Obstruction Forces

- WARNING!** Take care when testing or adjusting the Safety Obstruction Force. Excessive force may cause SERIOUS PERSONAL INJURY and/or PROPERTY DAMAGE.
- Testing Close Cycle**
- Press the programmed transmitter to open the door.
 - Place a piece of timber approximately 40mm high on the floor directly under the door.
 - Press the programmed transmitter to close door.
 - The door should strike the object and re-open.
- Testing Open Cycle**
- Press the transmitter to close the door.
 - When the door reaches approximately half way, firmly grab the doors bottom rail - the door should stop.
 - If the door does not reverse readily when closing, or stop when opening, the force may be excessive and need adjusting.
- Adjusting Safety Obstruction Force**
- The Safety Obstruction Force is calculated automatically during setup. Adjusting this is normally only necessitated by environmental conditions such as windy or dusty areas, and areas with extreme temperature changes.
- To Adjust Force Pressure**
- Hold down FORCE MARGIN SET button.
 - While holding the FORCE MARGIN SET button, press the SET button for two (2) seconds.
 - Release both buttons. The default setting should now be recalled.
- To Recall Factory Set Force**
- While holding down the FORCE MARGIN SET button, press the SET button for two (2) seconds.
 - Release both buttons. The default setting should now be recalled.
- To Recalculate Force Margins**
- Press and hold the SET Button for two (2) seconds, the beeper will sound once.
 - The door will start to move and re-calculate force margins. The door can move between the open and close limit positions up to four (4) times (depending on the position of the door and the power up condition).
 - A single beep will be heard once the process is complete.
 - Test the force again as per Testing Close Cycle and Testing Open Cycle.



- WARNING!** Photo electric beams must be installed if the closing force at the bottom edge of the door exceeds 400N (40kg).
- WARNING!** Please test the manual release mechanism to ensure that the manual release is easy to operate. No more than 15 kg of force should be required to disengage the door using the manual release cord. If excessive force is required reset the close limit position.
- WARNING!** If the door fails these tests, put the opener into manual mode, only operate the door by hand and call for service.



GDO-6 EasyRoller® & GDO-8 Shed Master®

Roll Up Garage Door Opener Installation Instructions

Kit Contents of GDO-6V4

- 1 x GDO-6 EasyRoller® drive unit
- 2 x Locking bar covers
- 2 x Transmitters with batteries

Not included in some models are;

- 1 x Weight Bar
- 2 x Nilock Hex nut M4
- 2 x Flat washer I.D. 3/16" x 1/2"
- 2 x Pan head screw M4x50mm

Kit Contents of GDO-8V3

- 1 x GDO-8 Shed Master® drive unit
- 2 x Locking bar covers
- 2 x Transmitters with batteries

Not included in some models are;

- 1 x Weight Bar
- 2 x Nilock Hex nut M4
- 2 x Flat washer I.D. 3/16" x 1/2"
- 2 x Pan head screw M4x50mm

- Tools Required**
- Ladder
 - Adjustable Wrench
 - Socket set
 - Drill
 - Screwdrivers
 - Marker Pen
 - Door Stand

Position

The opener can be installed on either the right - or left hand side of the door (when viewed from the inside the garage). The opener is factory set for right hand side installation.

The opener must be installed in a dry position that is protected from the weather. Moisture or corrosion damage is not covered by the Warranty.

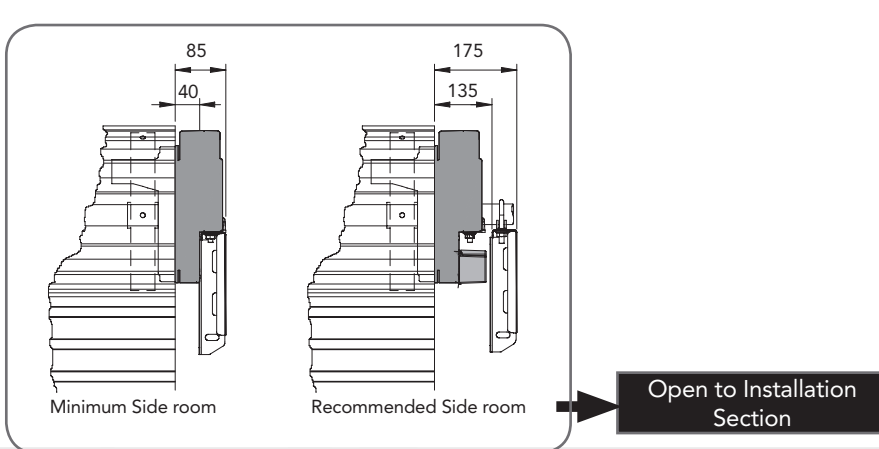
Unsuitable Door Types

The drive must not be used with a door incorporating a wicket door, unless the drive cannot be operated with the wicket door open. The fitting of an opener to doors with removable mullions is not recommended

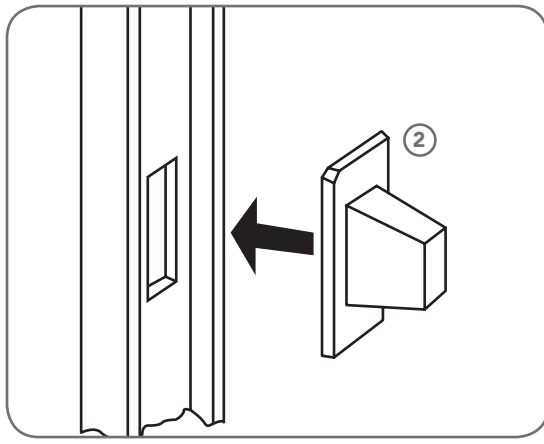
Sideroom

The minimum sideroom required from the edge of the door curtain is 40mm to the inside of the door bracket, and 85mm to the wall. If a Battery Backup is to be fitted, at least 135mm to the bracket is required.

Therefore the recommended sideroom from the edge of the door curtain is 135mm to the inside of the door bracket, and 175mm to the wall as per diagram.



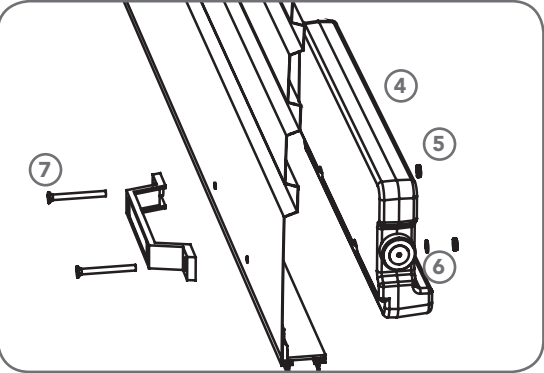
Installation



- Check the door's operation. The door must travel smoothly and be easy to operate by hand.
- Operating force on the bottom rail should be approximately 70N (7kgs) force
- Adjust any tight or twisted guides/tracks. Clean the guides if there is any oil or wax present using a suitable white spirit. The only lubricant suitable for use on door guides is silicon spray. DO NOT use WD-40, RP-7, petroleum grease, or similar.
- Install the locking bar covers (2) if there are locking bar holes in the guides.
- Affix the warning labels supplied with this opener in a prominent place where they are clearly visible.
- Choose the side where the opener will be installed, ensuring there is sufficient sideroom.

WARNING! - Do not lock your door with the locking bars after installing the opener. Remove or disable the lock using wire or cable ties. Security is not affected as the opener has an inbuilt locking facility.

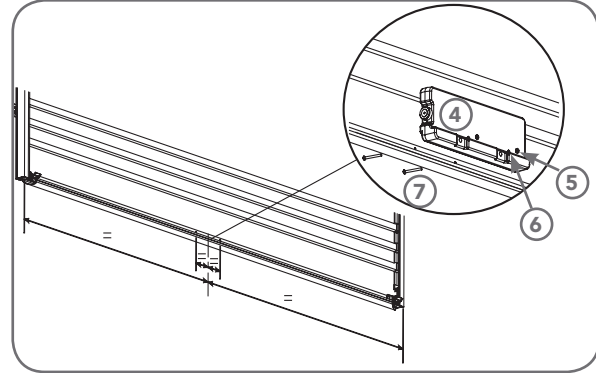
If the door has a handle



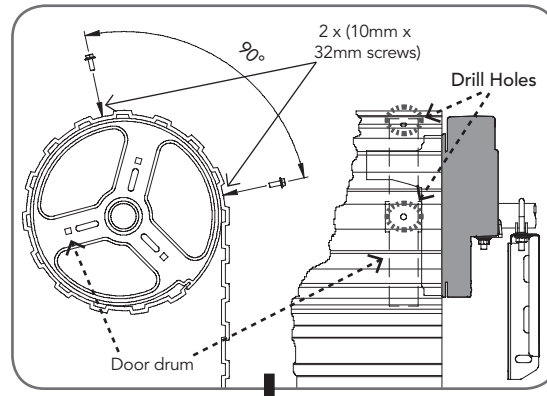
- Remove the door handle
- Fit the weight bar (4) and refit the handle using the new fasteners (5) (6) (7) provided.

WARNING! The door and its springs are under significant tension. Adjustments should only be carried out by experienced persons, as this function can be dangerous if not performed under strict safety procedures.

If the door does not have a handle

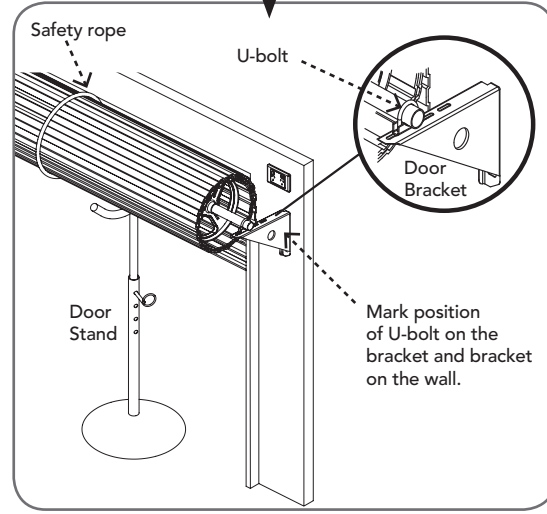


- Locate the centre of the door at the bottom rail.
- Place the weight bar (4) at this point (there is a centreline marked on the weight bar) and mark the two positions where the fasteners will go.
- Drill the two 4.5mm holes in the door and fit the weight bar using the new fasteners (5) (6) (7) provided.



- Fully close the door.
- Mark drill two (2) holes in the valley of the curtain at both ends of the door into the drum.
- Drill holes using 3.2mm (1/8") drill bit. Open the door slightly for easier access, if necessary.
- Fit four (4) 10 x 32mm screws and washers (not supplied). Each screw should be positioned as low as possible, within the valley, but make sure that it does not alter the curtain's normal approach to the guide (lead-in angle).

NOTE: Make sure that the screws do not project into the area where the internal gear will fit.



- At the end opposite to where the opener will be fitted, check that the U-bolt is tightened securely. Open the door completely and tie safety ropes around the door roll approximately 300mm from each end. Do not tie the ropes too tight as damage to the curtain may ensue.
- At the end where the opener is to be fitted, support the door with a door stand or suitable ladder.

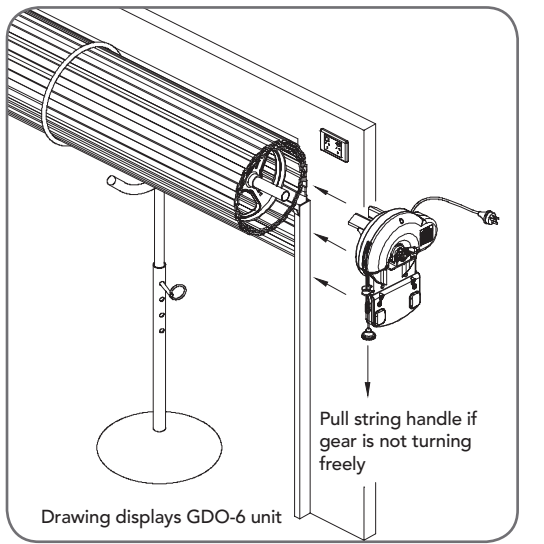
WARNING! Make sure the support is snug under the door, stable and will not move.

- Use masking tape or pen to mark the position of the U-bolt in the door bracket and the position of the door bracket on the wall to assist in reassembling.
- Remove the U-bolt (or bolts) and saddle from the door bracket.
- Remove the door bracket allowing the door to rest on the support.

NOTE: For minimum sideroom installations the door may have to be taken down.

Proceed to Mounting the Opener

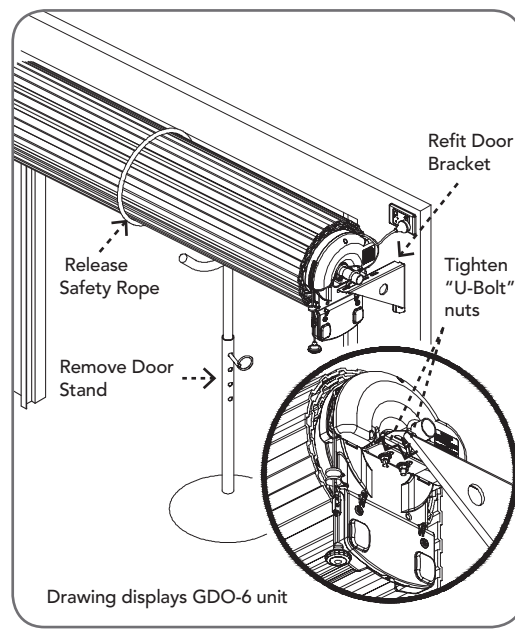
Mounting the Opener



Pull string handle if gear is not turning freely

Drawing displays GDO-6 unit

- If the internal gear does not rotate freely, switch the opener (1) to manual by pulling the disengagement handle down (there will be a click), so that the ring gear can be rotated by hand.
- Slide the opener over the door axle and into the drum of the door.
- Ensure the internal gear is pushed in as far as possible (without interfering with the door curtain) and that one of the door drum's wheel spokes is completely between the opener's drive forks.



Drawing displays GDO-6 unit

- Re-attach the door bracket using your reference marks as a guide and tighten the bolts. Ensure that the slots in the mounting bracket of the opener align with the slots in the door bracket, otherwise the door bracket may have to be relocated.

NOTE: If the bracket cannot be relocated, the opener may be fitted onto the axle using the opener's saddle and U-bolt as follows:

- Using your reference marks as a guide, sit the opener on the door mounting bracket and secure with the opener's U-bolt and saddle and tighten firmly.
- Adjust the door position (if necessary) on the brackets so that the door feeds smoothly into the guides. Make sure that the centre of the door doesn't hit the lintel and that the curtain is not pushed forward hard into the guide.

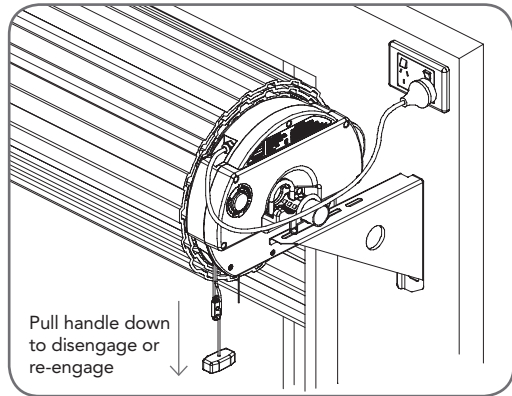
- Remove the Door stand and safety ropes

CAUTION - If the manual release handle is more than 1.8 metres from floor level when the opener is installed, extend the handle to a height less than 1.8 metres.

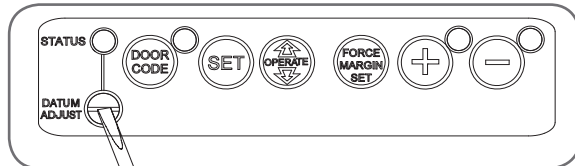
- Connect the power cord to a suitable power point, but **DO NOT SWITCH ON**. Secure the power cord away from any moving object (e.g. the door) with the cable clip supplied.
- With the opener still disengaged, pull the door up and down to make sure it runs freely. Leave the door approximately in the middle of travel and engage the opener.

Proceed to Programming the Opener

Setting the Datum Position (GDO-8 Only)



Pull handle down to disengage or re-engage



- Switch the opener into manual mode.
- Move the door by hand to approximately the mid open position.
- Re-engage the opener.
- Using a small blade screw driver turn the datum adjust screw slowly until the yellow status LED just illuminates.

NOTE: If the status LED is already illuminated when power is connected then turn the datum adjust screw until the LED goes off then turn back one notch to illuminate again.

Programming the Opener

Code a Transmitter for Limit Setting

Ensure the opener is powered up and button cover is removed.

- Press and hold the DOOR CODE button.
- Press Button 1 on the transmitter for two seconds. Release and pause for two seconds. Press the Button 1 again for two seconds.
- Release the DOOR CODE button.

Setting Limits via Transmitter

- Press and hold Button 4 on the transmitter to close the door. When the door is approx. 20mm from the ground, release Button 4.
- Each press of Button 4 will allow you to "inch" the door closed. Keep doing this until the door reaches the desired close limit position.
- If the door overshoots, press Button 1 to "inch" the door towards open
- When in the correct close limit position, press Button 2 to store this in memory.
- Press and hold Button 1 to open the door. When approx. 20mm from the desired open position, release Button 1.
- Each press of Button 1 will allow you to "inch" the door open. Keep doing this until the door reaches the desired open limit position.
- If the door overshoots, press Button 4 to "inch" the door towards closed.

WARNING! The door will automatically close, open and close again once the next step is performed. Ensure that no persons or objects are in the door's path.

- When in the correct open limit position, press Button 2 on the transmitter to store into memory.
- The door will now automatically close, open and close to calculate the safety obstruction settings. After this, the opener can be operated with the OPERATE button.

Resetting the Door Limit Positions

Limit positions can be deleted by the following steps:

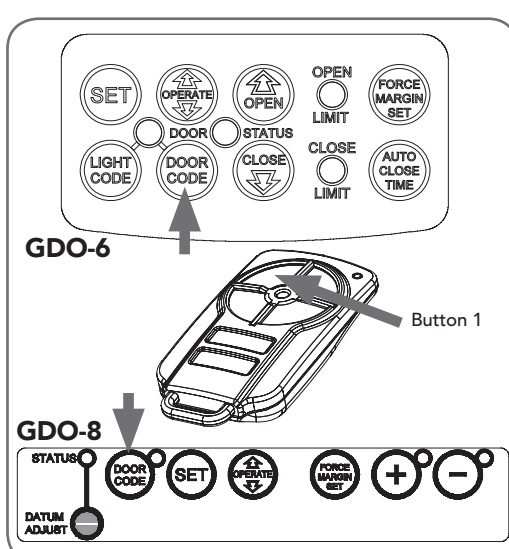
- To reset the limits, press and hold the MINUS (-) (GDO-8) or CLOSE (GDO-6) button (on the opener) for 6 seconds until the Close Limit LED flashes quickly. If no action is taken within 30 seconds, the opener will return to normal operating mode and restore the original settings.
- Repeat the above processes to set new travel limit positions.

Setting the PET Mode position (GDO-6 Only)

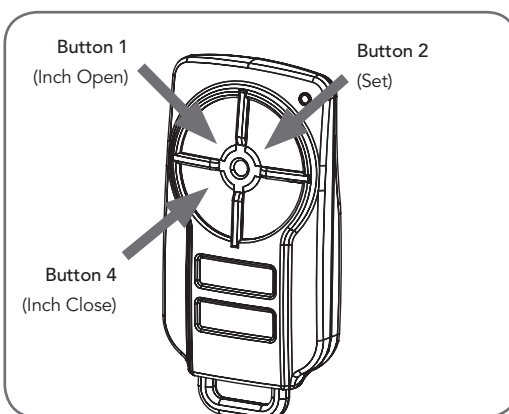
When activated, PET mode drives the door to the preset position from the close position.

- Drive and stop the door at the desired PET mode open position by pressing the transmitter button coded for Open/Stop/Close operation.
- Press and hold the OPEN button on the opener for six (6) seconds until the OPEN and CLOSE LEDs are lit to record the new PET position.
- Release the OPEN button.

Proceed to Coding Transmitters

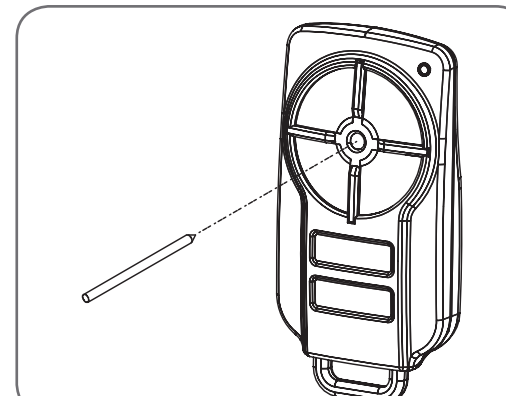


WARNING! In setting the close limit position, do not force the door into the floor with excessive force, as this can interfere with the ease of operation of the manual release mechanism.



NOTE: There is no need to re-code the transmitter upon resetting travel limits. The transmitter will still be stored in memory.

Coding Transmitters



Remotely Coding Transmitters

Using this method transmitters can be coded without access to the opener's control panel as long as a pre-coded transmitter is available.

NOTE: The door or courtesy light must activate when the steps below are performed. This indicates that the pre-coded transmitter is in range of the opener, and the correct button has been pressed.

- Take any pre-coded transmitter. Press the button for the function to be duplicated and release.
- Using a small needle / pen, press and hold firmly for two seconds the middle button, through the Coding Hole.
- Within 10 SECONDS take the additional transmitter you wish to code. Hold the new transmitter's button for two seconds, pause for two seconds, hold again for two seconds and then release.
- Wait for 10 seconds and then press the new transmitter's button to test.

Coding a Transmitter Button to Enable Vacation Mode

The opener can be programmed into a "Vacation Mode" where the opener will not respond to any transmitter except the button of the transmitter that was programmed for vacation mode.

- Briefly press the DOOR CODE button once, then press it again and hold (will beep two times on second press).
- Press one of the four (4) buttons on the transmitter for two (2) seconds, pause for two (2) seconds, then press the same button again for two (2) seconds.
- Release DOOR CODE button.
- Press and hold the transmitter button for six (6) seconds to set Vacation Mode. The door code LED will stay lit while Vacation Mode is active.
- To reset Vacation Mode, press the same button for two seconds.

Setting the Transmitter to Operate PET (Pedestrian) Mode (GDO-6 Only)

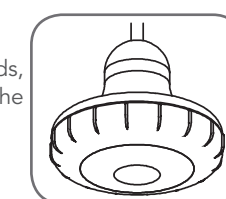
The PET mode position (see Programming the Opener) must set prior to coding a transmitter.

- Briefly press the DOOR CODE button three (3) times, then press it again and hold (the opener will beep four times on the fourth press).
- Choose a transmitter button not already coded into the receiver. Press and hold this button for two (2) seconds, pause for two (2) seconds, then press the same button again for two (2) seconds and release.
- Release the DOOR CODE button.
- Press the transmitter button to test.

Easy Access Transmitter (EAT) Coding (GDO-6 Only)

Press and hold the DOOR CODE button

- Press the EAT's button for two (2) seconds, pause for two (2) seconds, then press the button again for two (2) seconds.
- Release the DOOR CODE button.
- Press the transmitter button to test.



Coding a Transmitter to the Courtesy Light (GDO-6 Only)

The transmitter can be programmed to operate the courtesy light on the opener independently of the door moving.

- Press and hold the LIGHT CODE button.
- Press one of the four buttons on the transmitter for two (2) seconds, pause for two (2) seconds, then press the same button again for two (2) seconds.
- Release the LIGHT CODE button.
- Press the transmitter button to test.

Coding a Transmitter to enable AUX Output (GDO-6 Only)

- Briefly press the DOOR CODE button two (2) times, then press it again and hold (the opener will beep three (3) times on the third press).
- Press one of the four buttons on the transmitter for two (2) seconds, pause for two (2) seconds, then press the same button again for two (2) seconds.
- Release the DOOR CODE button.
- Press the transmitter button to test.

Erasing a Stored Transmitter Code

- Select the transmitter you want to delete.
- Press and hold the DOOR CODE BUTTON.
- Press the transmitter button you would like to delete for two seconds, pause for two seconds, press again for two seconds and then release.
- Release the DOOR CODE BUTTON. The code should now be deleted. Confirm this by pressing the transmitter button - the function (e.g. door opening) should not respond.

Erasing All Transmitter Codes

- Turn off power to the opener.
- While switched off, press and hold the DOOR CODE BUTTON. Turn on power to the opener while holding this button.
- The OPEN LIMIT, CLOSE LIMIT and DOOR STATUS LEDs will illuminate for about five seconds. These LEDs will turn off and the CODING LED will illuminate.
- Release the DOOR CODE BUTTON. All stored codes will now be deleted. Confirm this pressing buttons on any previously coded transmitters - the opener should not respond.

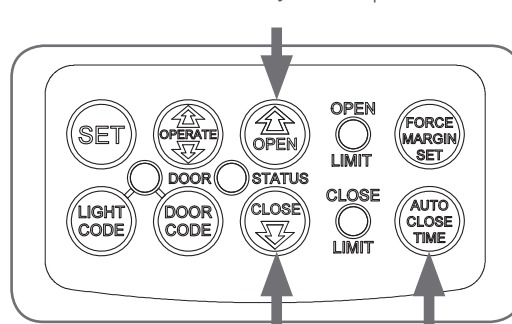
Proceed to Safety Obstruction Force

GDO-6 AutoClose, Auxiliary Output and Keyswitch

GDO-6 Only AutoClose

Auto Close

Auto-Close mode is a function that automatically closes the door a preset time after the Safety Beams recognise that a vehicle has left the garage. The Auto-Close timer only starts after the Safety Beam's path is broken. If the safety beam path is not broken, the door will remain open until the path is broken. If the opener incurs a physical obstruction (i.e. not from the Safety Beams) while closing the door, it will re-open and not Auto-Close until the Safety Beam's path is broken again.



WARNING! It is compulsory to have Safety Beams installed when using Auto-Close mode.

- Hold down the AUTO CLOSE TIME button.
- While holding in the AUTO CLOSE TIME button, press the OPEN button - each press will add one second to the Auto-Close delay.
- To decrease the delay time Hold down the AUTO CLOSE TIME button and press the CLOSE button - each press will deduct one second from the Auto-Close delay.
- Press the Operate button or transmitter to open the door. When the door is fully opened the Open Limit LED will flash to indicate that Auto-Close mode is operational.
- Break the Safety Beam's path momentarily to initialise Auto-Close. When the door reaches the fully opened position, the door will pause for the set Auto-Close time and then close.

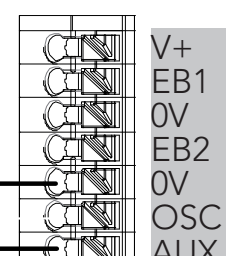
GDO-6 Auxiliary Output and Keyswitch

Auxiliary Output

The auxiliary output can be used to control alarm or another garage door opener. A valid transmission from the pre-coded transmitter will cause the auxiliary output to pulse for approximately 1 (one) second. The maximum DC voltage must not exceed 35 volts DC. Maximum current must not exceed 80 ma.

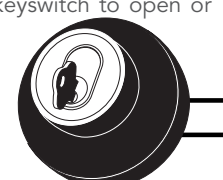
The auxiliary output can also be programmed with a PG3 programmer to Control the External light via the Light Relay Module. The Programming options mimic the GDO-6 Light, timed (1 to 650secs) or toggle.

External device, Light Relay Module, Alarm, Door or Gate opener.



Keyswitch Connection

The GDO-6 has the input to connect bell switch or keyswitch to open or close the door.



Reset all Factory Defaults

- Turn power to the opener off.
- Press and hold the Set Button.
- Turn power on while holding the SET button. Continue to hold until all LEDs are off.
- This will not erase transmitter codes stored in memory.

Proceed to Safety Obstruction Force