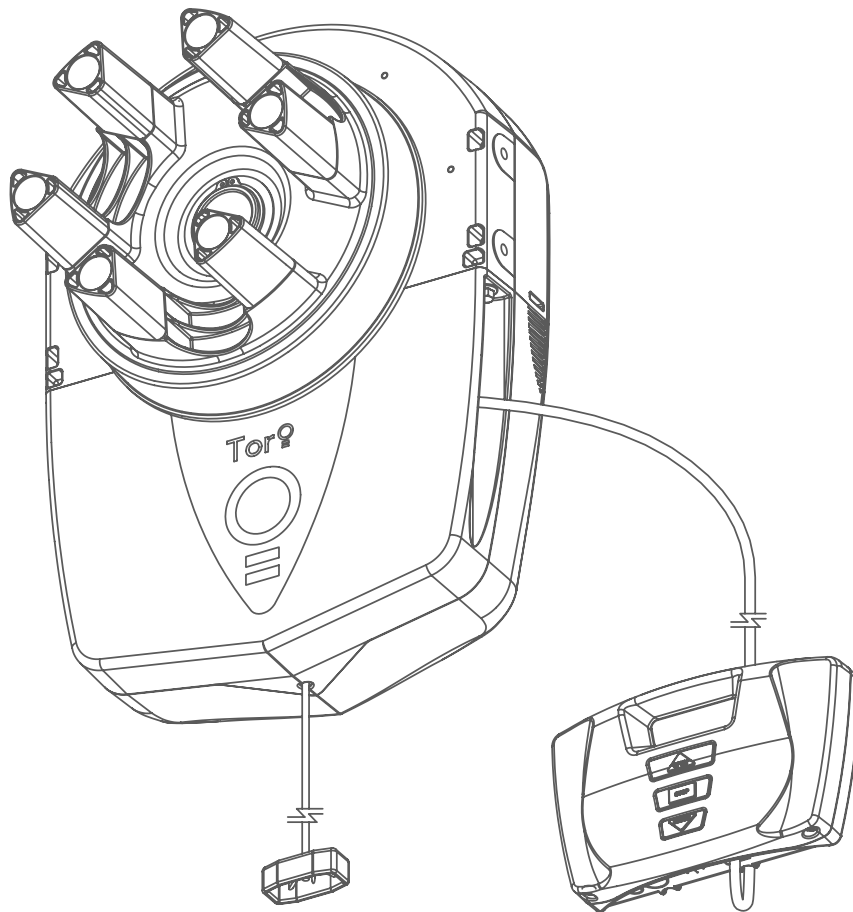




# GDO-10v2 Toro™

Roll Up Garage Door Opener



Featuring **TrioCode™** Technology

aut<sup>o</sup>matic  
TECHNOLOGY

smart | simple | secure



**WARNING:** It is vital for the safety of persons to follow all instructions. Failure to comply with the installation instructions and the safety warnings may result in serious personal injury and/or property and remote control opener damage. Please save these instructions for future reference.

Automatic Technology Australia Pty Ltd to the extent that such may be lawfully excluded hereby expressly disclaims all conditions or warranties, statutory or otherwise which may be implied by laws as conditions or warranties of purchase of an Automatic Technology Australia Pty Ltd Garage Door Opener. Automatic Technology Australia Pty Ltd hereby further expressly excludes all or any liability for any injury, damage, cost, expense or claim whatsoever suffered by any person as a result whether directly or indirectly from failure to install the Automatic Technology Australia Pty Ltd Garage Door Opener in accordance with these installation instructions.



# GDO-10v2 Toro™

## Roll Up Garage Door Opener

Important Safety Instructions	4
Features	6
Controllers Input And Output	8
Operating Controls	9
Package Contents	10
Pre-installation Requirements	11
Installation	12
EasyBeam™ Installation	14
Programming The Opener	15
Menu Structure	15
Viewing And Editing Parameters	16
Setting Limits	17
Setting Limits: Via Transmitter	18
Safety Obstruction Force	19
Safety Obstruction Force Test	19
Adjusting Safety Obstruction Forces	20
Coding Transmitters	21
Transmitter Editing	22
Transmitter Management	24
Remotely Coding Transmitters	26
Setting Pedestrian Position	27
Standard Operating Modes	27
Control Board Adjustments	29
Time Clock	34
Diagnostic Tools	36
Memory Tools	38
Accessories	38
Lock	38
Light	39
Auto-Close Mode	40
Wall Transmitter Installation	41
SmartSolar™ Installation	42
Replacing Backup Batteries	43
Specifications	44
Troubleshooting	45
Maintenance	46
Spare Parts	47
Warranty	48





# Important Safety Instructions

**WARNING: It is vital for the safety of people to follow all instructions. Failure to comply with the following Safety instructions may result in serious personal injury and/or property damage.**

**CAUTION:** If your garage has no pedestrian entrance door, an emergency access device should be installed. This accessory allows manual operation of the garage door from outside in case of power failure.

Photo Electric Beams must be installed with the automatic opener ensuring additional safety and peace of mind.

**DO NOT** operate the opener unless the garage door is in full view and free from objects such as cars and children/people. Make sure that the door has finished moving before entering or leaving the garage.

**DO NOT** operate the opener when children/people are near the door. Children must be supervised at all times when the opener is in use. **Serious personal injury** and/or property damage can result from failure to follow this warning.

**DO NOT** allow children to operate the opener. **Serious personal injury** and/or property damage can result from failure to follow this warning.

Regularly check to make sure that the **Safety Obstruction Force** is working correctly, and is **tested** and set as per page 19 of this manual. Failure to follow these instructions could result in **serious personal injury** and/or property damage. This test must be repeated at regular intervals and the necessary adjustments made as required.

The PE Beams must be used, if the closing force as measured on the bottom of the door is over 400N (40kg).

**DO NOT** disengage the door opener to manual operation with children/people or any other objects including motor vehicles within the doorway.

The door opener is not intended for use by young children or infirm persons without adequate supervision. Children should be supervised to ensure that they do not play with the remote transmitters or the opener.

Keep hands and loose clothing **clear** of the door and door opener at all times.

The unit should be installed so that it is protected from the elements. It should not be exposed to water or rain. It is not to be immersed in water or sprayed directly by a hose or other device.



# Important Safety Instructions

The garage door must be **well balanced**. Sticking or binding doors must be repaired by a qualified garage door installer prior to installation of the opener.

Frequently examine the installation for signs of wear, damage or imbalance. **DO NOT** use if repair or adjustment is needed since a fault in the installation or an incorrectly balanced door may cause injury. **DO NOT** attempt to repair the door yourself as hardware is under extreme tension.

**Remove or disengage** all garage door locks and mechanisms prior to installation of the opener.

Connect the opener to a properly **earthed** general purpose 240V mains power outlet installed by a qualified electrical contractor.

**Disconnect the power cord** from mains power and backup batteries before making any repairs or removing covers. Only **experienced** service personnel should remove covers from the opener.

When using Auto-Close mode, a **photo electric beam** must be fitted correctly and tested for operation at regular intervals. **Extreme caution** is recommended when using Auto-Close mode. **All safety rules** must be followed.

In order for the opener to **sense** an object obstructing the door way, some **force** must be exerted on the object. As a result the object, door and/or person may suffer **damage** or **injury**.

If the power supply cord is damaged, it **must** be replaced by an Automatic Technology service agent or garage door professional.

Make sure that the door is fully open before driving in or out of the garage and fully closed before leaving the driveway.

Make sure that remote controls are kept out of reach of children.

Install the wireless wall control unit in a location where the garage door is visible, at a height of at least 1.5m, out of the reach of children and with the garage door is visible.





# Features

Thank you for purchasing the Automatic Technology Toro™ Automatic Garage Door Opener. Designed by our renowned engineers to suit roll up doors, the Toro™ will provide years of smart, simple & secure convenience to your home.

## Operation

To open or close the door simply press the open or close button on the wall control unit, a button on a coded TrioCode™ hand held transmitter, optional wall mounted transmitter, or optional wall switch for two seconds. During open and close cycles, the door can be stopped by pressing the button again or by pressing the stop button on the wall control unit.

## TrioCode™ Code Hopping Technology

Every time a TrioCode™ transmitter is used, a new security code is randomly generated from over 4.29 billion possibilities. This greatly enhances the security of the system and makes "code grabbing" a thing of the past.

These transmitters also overcome interference issues by simultaneously sending a signal over three slightly different frequencies. Even if two of the three signals are jammed, the system will still work.

## M-ALPS (Magnetic Automatic Limits Positioning System)

M-ALPS does away with manual adjustment of the door's limits position using mechanical parts, such as cams and microswitches. During installation the hand held transmitter can be programmed to set the door limit positions.

## ISS (Intelligent Safety Obstruction System)

While the door is performing a close cycle, should it hit an obstacle or be restricted in some manner, it will automatically reverse. The amount of force the door should encounter before reversing is automatically adjusted by the doors control system during the initial installation of the automatic door opener. The door will also stop if restricted whilst opening. The Safety Obstruction Force should be checked monthly.

## Auto Courtesy Light

The courtesy light (if connected) comes on automatically for one minute whenever the door is activated. The light can also be operated independently of the door by coding a dedicated button on a transmitter.





### **SmartSolar™ Compatibility (Optional)**

The opener can be fitted with a SmartSolar™ kit (Part Number 60142) for operation where mains power access is not available. **NOTE:** If the door is the only entrance to the garage, a keyed cable release should be fitted external to the garage.

### **Vacation Mode**

A hand held transmitter can be programmed to lock and unlock all other transmitters that have been programmed into the openers' memory. The Vacation Mode can be used when the door is left idle for long periods of time.

### **Pet/Pedestrian Mode**

The transmitter can be programmed to open the door to an adjustable partial height so that the family pet can enter and exit the garage at any time. You may also wish to open the door to a height suitable only for pedestrian access.

### **Auto-Close Mode**

The opener can be programmed to automatically close after an open cycle. The Auto-Close time is adjustable. It is compulsory to install PE Beams if this mode is selected, otherwise the door may cause personal injury or damage to property.

### **Photo Electric (PE) Beams**

The opener has an input to connect PE Beams for extra safety and use of the Auto-Close mode.

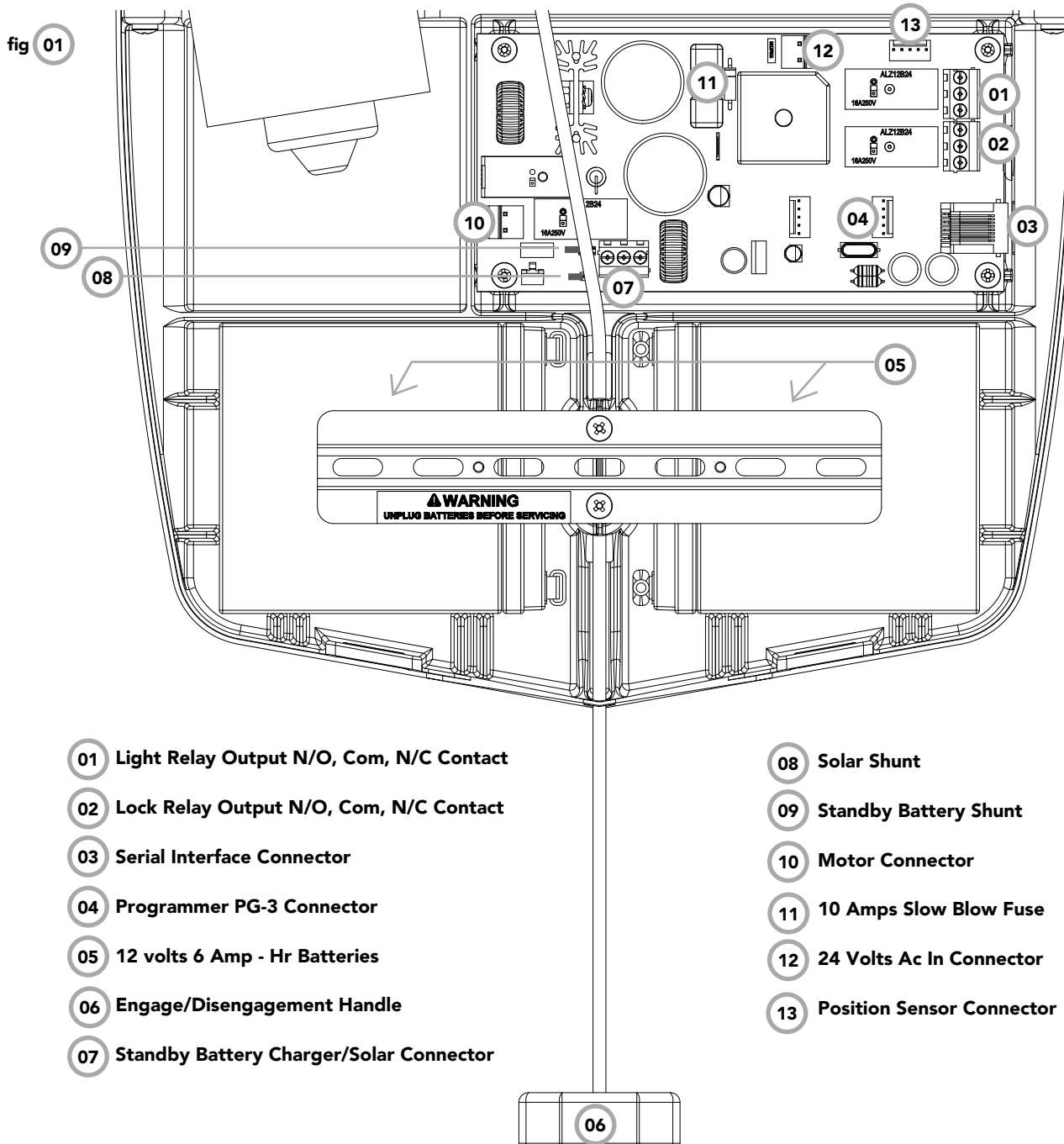
### **Manual Operation**

The opener is equipped with a unique patented manual disengaging device. If the power to the opener is disrupted for any reason, the door can be put into manual mode by pulling down on the string handle, then releasing. This will allow you to manually open or close the door. When power is restored, by pulling down on the string handle and releasing, the opener is put back into automatic mode.





# Controller Input And Outputs







# Operating Controls

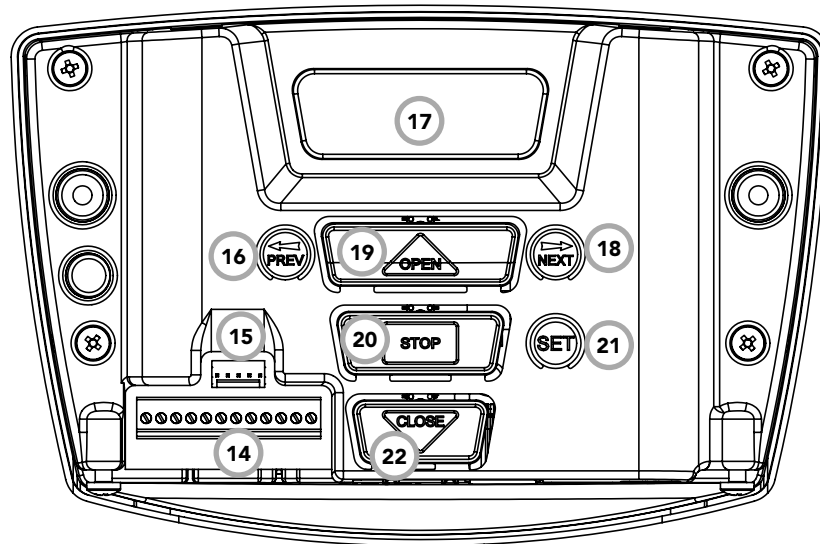


fig 02

- |    |  |    |                         |
|----|--|----|-------------------------|
| 14 | Terminal Block ( From Left To Right )                    | 15 | Programmer PG-3 Input   |
|    | V+ Three Wire PE Beams " + " Supply                      | 16 | Console Previous Button |
|    | IN3 Three Wire PE Beams Trigger Input                    | 17 | Liquid Crystal Display  |
|    | V- Common For Two Wire EasyBeam™ and Three Wire PE Beams | 18 | Console Next Button     |
|    | IN2 Two Wire EasyBeam™ Input                             | 19 | Console Open Button     |
|    | AUX OUT Receiver's Auxiliary Output                      | 20 | Console Stop Button     |
|    | FIRE N/O , N/C Input Terminal                            | 21 | Console Set Button      |
|    | GPI N/O Input Terminal                                   | 22 | Console Close Button    |
|    | OPN N/O , N/C Input Terminal                             |    |                         |
|    | STP N/O , N/C Input Terminal                             |    |                         |
|    | CLS N/O Input Terminal                                   |    |                         |
|    | SWP N/O Input Terminal                                   |    |                         |
|    | COM Terminal For Inputs                                  |    |                         |

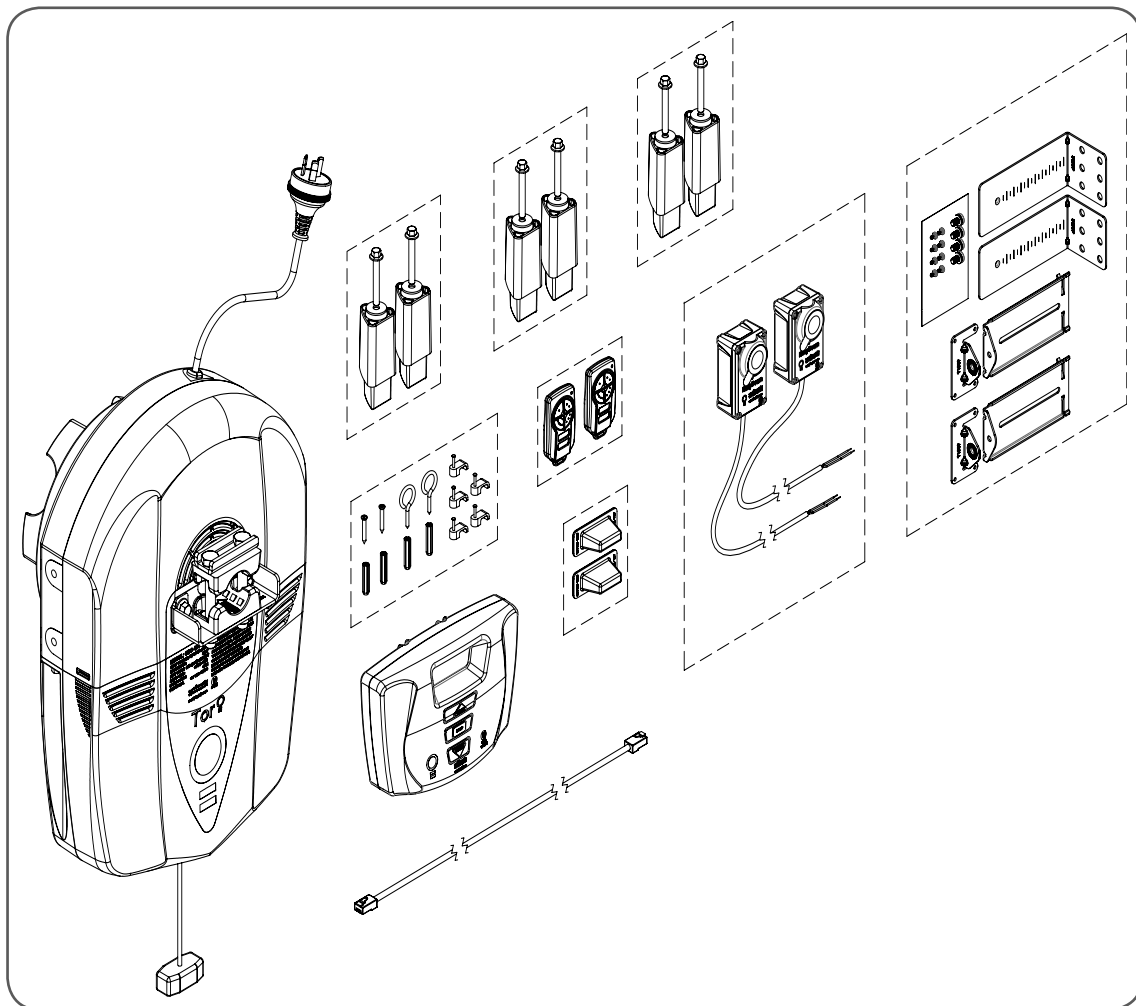




# Package Contents

<b>GDO-10v2 Toro™ Drive Unit</b>	<b>1</b>
<b>Wall Control Unit</b>	<b>1</b>
<b>Network Cable</b>	<b>1</b>
<b>Accessory Guide Pack</b>	<b>1</b>
<b>Fork Extension Pack</b>	<b>3</b>
<b>TrioCode™ Keyring Transmitters</b>	<b>2</b>
<b>Installation Manual</b>	<b>1</b>
<b>Locking Bar Covers</b>	<b>2</b>
<b>EasyBeam™ with wires and brackets</b>	<b>1</b>

fig 03





# Pre-Installation Requirements



## IMPORTANT SAFETY INSTRUCTIONS FOR INSTALLATION

**Warning: Incorrect installation can lead to severe injury.  
Follow ALL installation instructions.**

**NOTE:** Planetary chain equipment must be removed from the door prior to installation of GDO-10v2.

### Door Operation

The door must be in good operating condition. The maximum effort to move the door up or down, from stationary, should not exceed 150 Newtons (15 kg force) at the bottom rail.

Lift the door to about halfway. When released, the door should stay in place supported entirely by its springs. Raise and lower the door to check for binding or sticking.

The door may need to be serviced to meet these requirements – refer to the door manufacturer's servicing instructions or contact an authorised dealer.

### Unsuitable Door Types

The fitting of an opener to doors with removable mullions or doors incorporating a wicket door is not recommended.

### Position

The opener can be installed on either the right- or left hand side of the door (when viewed from inside the garage). The opener is factory set for right hand side installation.

This opener must be installed in a dry position that is protected from the weather. Moisture or corrosion damage is not covered by the Warranty.

### Power Supply

Properly earthed 3 pin single-phase power is required.



**WARNING! Using a portable power generator is not recommended. The opener may appear to malfunction due to spikes, surges and fluctuations in the generated voltage.**

### Sideroom For Right Hand Side Installation

The minimum sideroom required from the edge of the door curtain is 140 mm to the inside of the door bracket when the opener is mounted on the door bracket (**Fig. 04**).

**NOTE:** The door axle diameter must not exceed 35mm.

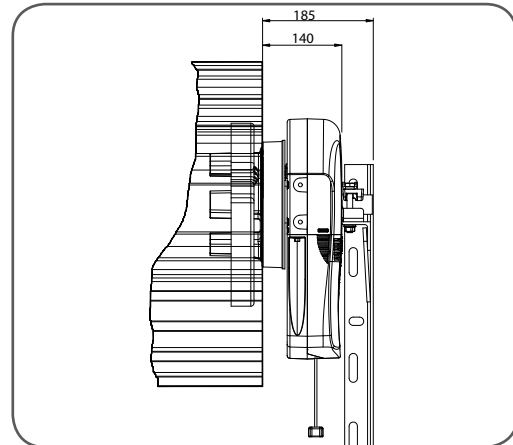


fig 04





# Installation

## Sideroom For Left Hand Side Installation

The minimum sideroom required from the edge of the door curtain is 127 mm to the inside of the door bracket when the opener is mounted on the door bracket (Fig. 05).

### Step 1 - Preparation

- a. Check the door's operation:
  - i. The door must travel smoothly and be easy to operate by hand.
  - ii. Adjust any tight or twisted guides.
  - iii. Clean the guides if there is any oil or wax present using a suitable white spirit. The only lubricant suitable for use on door guides is silicon spray. DO NOT use WD-40, RP-7, petroleum grease, or similar.
- b. Install the locking bar covers if there are locking bar holes in the guides.

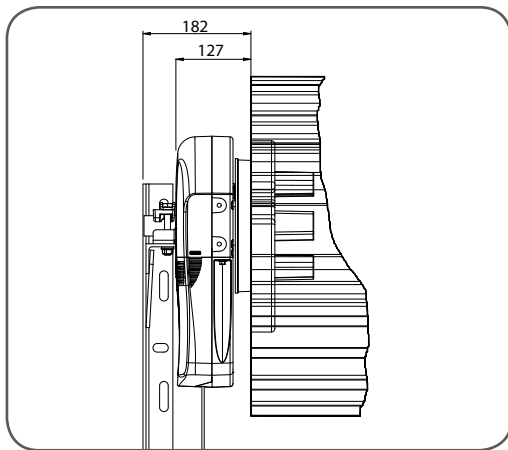


fig 05

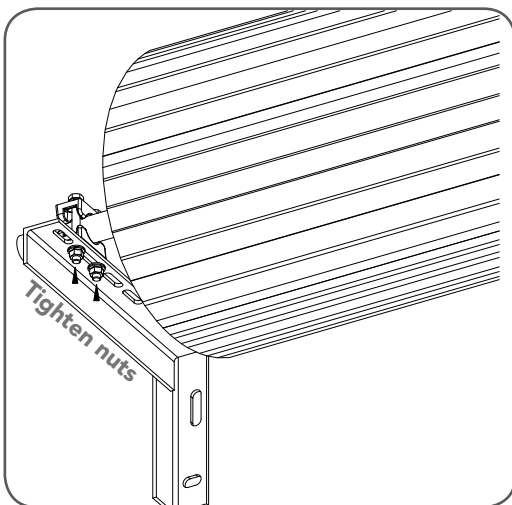


fig 06



**IMPORTANT NOTE - Do not lock your door with the locking bars after installing the opener. Remove or disable the lock. Security is not affected as the opener has an inbuilt locking facility.**

- c. Affix the warning labels supplied with this opener in a prominent place where they are clearly visible.
- d. Choose the side where the opener will be installed ensuring there is sufficient sideroom.

Check that the door is still balanced and smooth to operate. If it is not, the door may require servicing (refer to door manufacturer's instructions).

### Step 2 - Fitting The Opener

- a. At the end opposite to where the opener will be fitted, check that the door axle is tightened to the bracket securely. (Fig. 06)
- b. Open the door completely and tie safety ropes around the door roll approximately 300 mm from each end. Do not tie the ropes too tight as damage to the curtain may ensue.
- c. At the end where the opener is to be fitted, support the door with a safe and suitable lifter.



**WARNING! Make sure the support is snug under the door, is stable and will not move.**

- d. At the end where the opener will be fitted, use pen to mark the position of the saddle on the door bracket and the position of the door bracket on the wall to assist in reassembling.
- e. Remove the bolts and saddle from the door bracket.
- f. Remove the door bracket allowing the door to rest on the support



**NOTE - For minimum sideroom installations, the door may have to be taken down.**



**WARNING! The opener must not be used with a door incorporating a wicket door.**



**WARNING! The door and its springs are under significant tension. Adjustments should only be carried out by experienced persons, as this function can be dangerous if not performed under strict safety procedures.**





# Installation

## Step 3 - Mounting The Opener

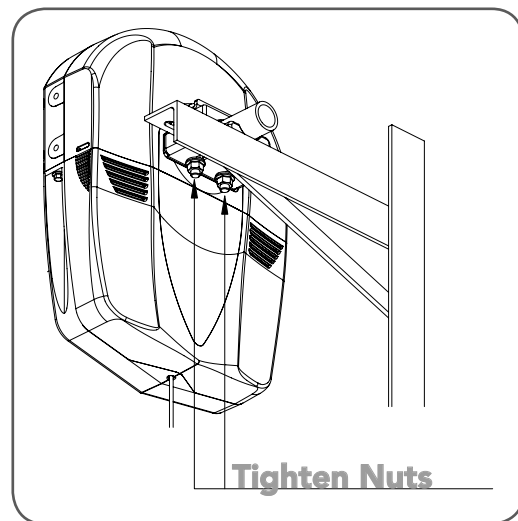
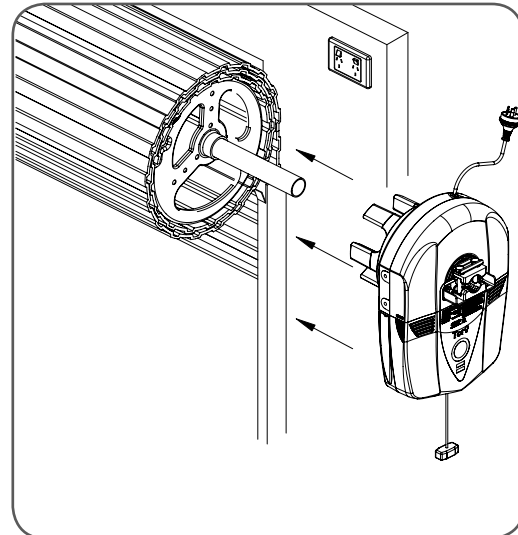
- a. If the internal gear does not rotate freely, switch the opener to manual by pulling the disengagement handle down (there will be a click), so that the ring gear can be rotated by hand.
- b. Slide the opener over the door axle and into the drum of the door (**Fig. 07**).
- c. Ensure the internal gear is pushed in as far as possible (without interfering with the door curtain) and that all of the door drum's wheel spokes are completely between the opener's drive forks.
- d. Re-attach the door bracket using your reference marks as a guide and tighten the bolts. Ensure that the slots in the mounting bracket of the opener align with the slots in the door bracket, otherwise the door bracket may have to be relocated. If the bracket cannot be relocated, the opener may be fitted onto the axle using the opener's saddle and bolts as follows:
  - i. Using your reference marks as a guide, sit the opener on the door mounting bracket and secure with the opener's bolts and saddle and tighten firmly (**Fig. 08**).
  - ii. Adjust the door position (if necessary) on the brackets so that the door feeds smoothly into the guides. Make sure that the centre of the door doesn't hit the lintel and that the curtain is not pushed forward hard into the guide.
- e. Remove the support and safety ropes.



**IMPORTANT NOTE - If the manual release handle is more than 1.8 metres from floor level when the opener is installed, extend the handle to a height less than 1.8 metres.**

## Step 4 - Installing The Wall Mounted Control Unit

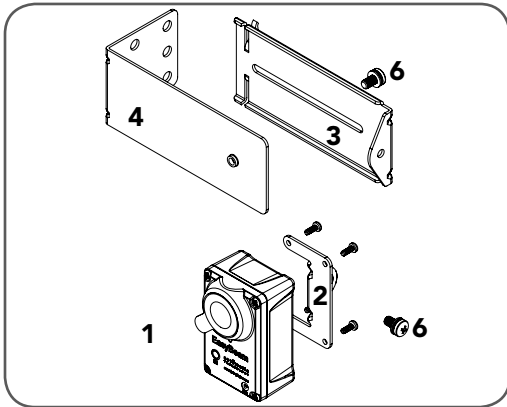
- a. Remove the face cover from the wall mount control unit.
- b. Affix the wall mount control unit at a height of 1.5 metres within sight of the door but away from moving parts. Make sure this location of the wall control unit is out of reach of children and convenient to the customer.
- c. Replace the face cover.
- d. Connect the network cable from the wall control unit to the GDO-10v2 powerhead unit and secure with p clips (supplied).
- e. Connect the power cord to a suitable power point, but **DO NOT SWITCH ON**. Secure the power cord away from any moving object (e.g. the door) with the cable clips.
- f. With the opener still disengaged, pull the door up and down to make sure it runs freely.





# EasyBeam™ Installation

fig 09



## Step 5 - Photo Electric (PE) Beams

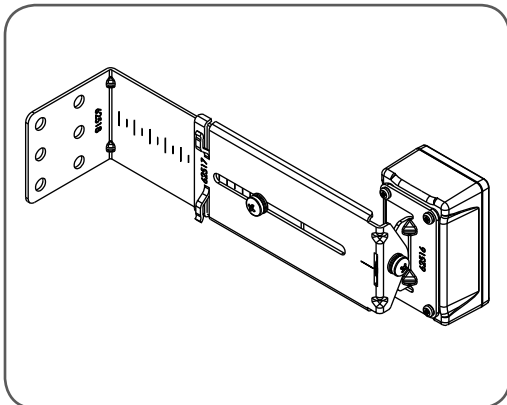
A photo electric EasyBeam™ extends across the garage door opening. The EasyBeam™ is designed to detect an obstruction while the door is closing and to send a signal to the garage door opener to reverse or stop the door movement.

### Step 5.1 - Fitting the EasyBeam™

- Attach the mounting bracket (4) to the adjustment bracket (3) with the pan head screw (6) (supplied). (**Fig. 09**)
- Attach the bracket (2) to the EasyBeam™ transmitter with four taptite screws (m3x5) and attach the other side to the adjustment bracket (3) with the pan head screw (6) . (**Fig. 10**)
- Repeat steps a and b to assemble the EasyBeam™ receiver.

Locate the Photo Electric (PE) Beams in a strategic location in the doorway. Automatic Technology recommend that the sensor is placed 100mm above the floor level and as close as possible to the door opening. Connect as per the wiring diagram (**Fig. 11**).

fig 10

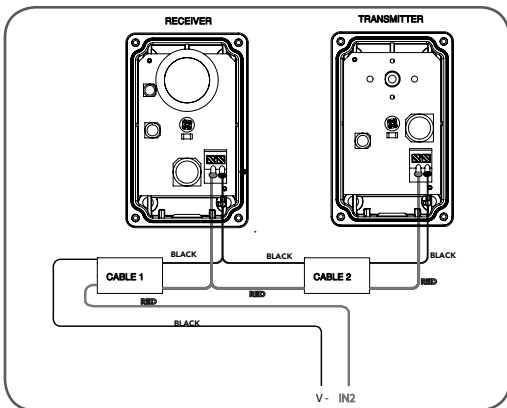


### Step 5.2 - Alignment

- Power up the GDO10v2 with the EasyBeam™ connected. The green LED on the transmitter should turn ON to indicate power is present.
- If the receiver is connected to power and the red LED is flashing while the green LED on the transmitter is on, the transmitter and receiver are not aligned.
- Make horizontal and/or vertical adjustment on the transmitter and/or receiver until the red LED on the receiver turns on, indicating alignment.

**NOTE: The height of the beam installation must be chosen in such a manner that it suits the application, the environmental conditions and provides maximum safety protection.**

fig 11



**WARNING: Install the PE Beams as per diagram in (Fig. 03). Tampering with the PE Beams could result in serious personal injury and/or property damage and will void the warranty.**



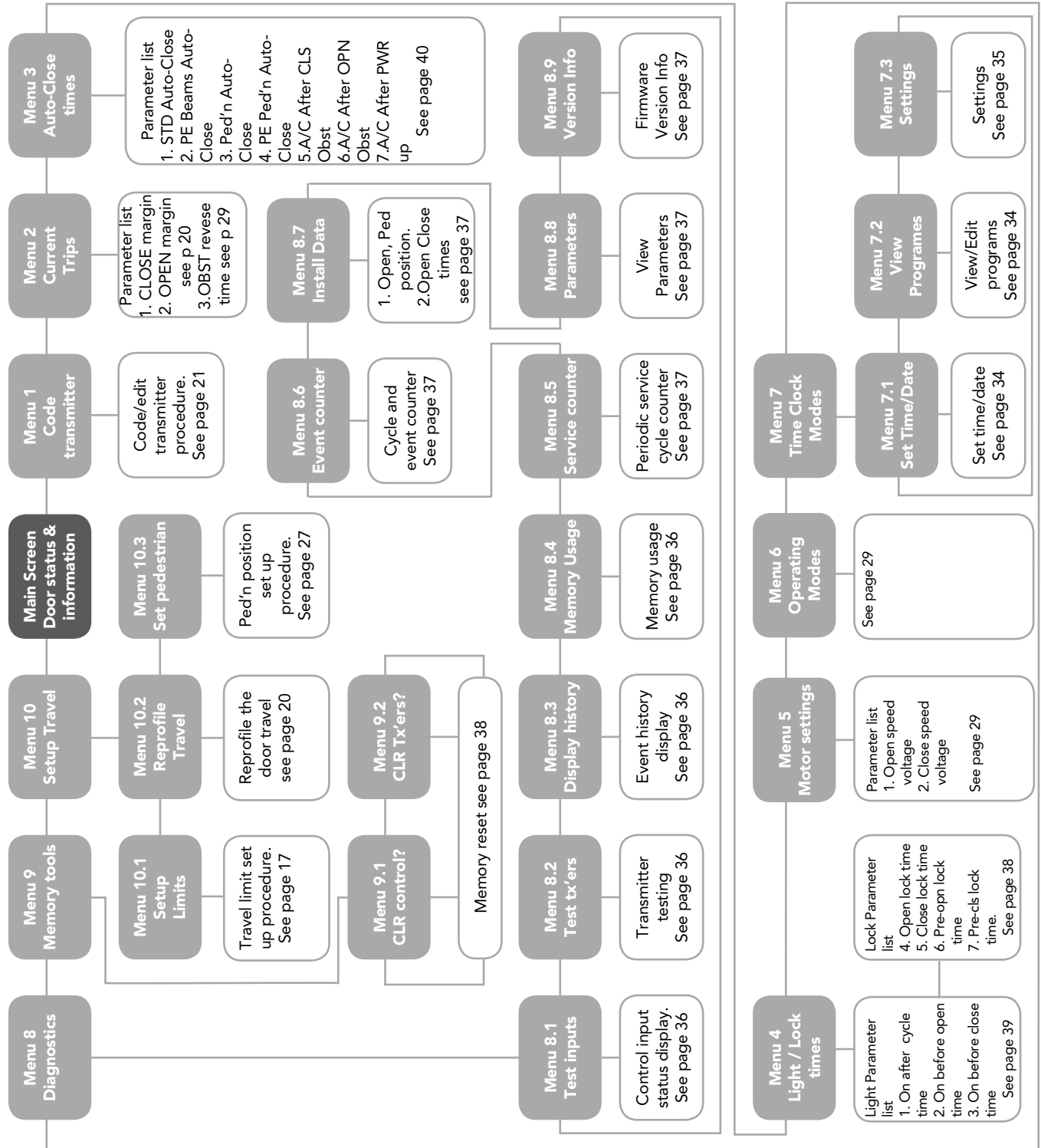
**WARNING: PE beams must be installed if the closing force as measured at the bottom edge of the door exceeds 400N (40kg).**





# Programming The Opener

## Menu structure



### NOTES

1. Press PREV/NEXT buttons move to Left/Right.
2. Press OPEN/CLOSE buttons to change setting.
3. Press SET button to save changes.
4. Press STOP to return to MENU without saving changes.

**NOTE:** System will automatically return to the main screen after 30 secs if a menu screen is displayed and no buttons are pressed.





# Viewing and Editing Parameters

fig 12

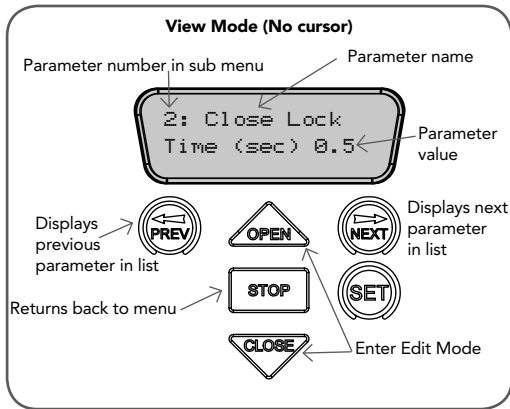
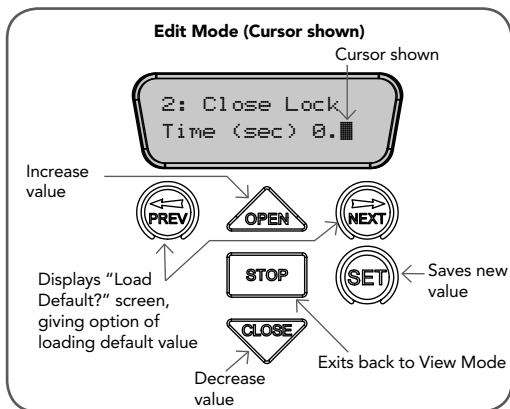


fig 13



This section illustrates how to locate, view and adjust parameters.

## Locating parameters

Refer to MENU STRUCTURE on Page 15 or the preceding section for CONTROL BOARD ADJUSTMENTS. Locate the required parameter and note the MENU number. The example used in (Fig. 12) displays "CLOSE LOCK TIME"

## Changing Setting

1. Press NEXT/PREV to navigate to the required menu.
2. Press SET to show the sub-menu.
3. Press NEXT/PREV to go to the required sub-menu.
4. Press OPEN/CLOSE to change parameter setting. Holding the button down causes the parameter's value to change rapidly. The longer the button is held the faster the value changes.
5. Press SET to SAVE setting.

## Reload Default Setting

1. Press NEXT/PREV buttons to display LOAD DEFAULT screen.
2. Press SET to load the default value.

## Return To Menu

If the parameter's value is not to be changed, press STOP to return to the sub menu. Press STOP again to return to the MAIN SCREEN.







# Setting Limits

## Step 6.1 - Setting Travel Limits



**WARNING!** Use caution when operating the manual release with the door open since it may fall rapidly due to weak or broken springs, or an improperly balanced door.

**CAUTION!** Do not disengage the opener to manual operation with children, persons or any objects including motor vehicles within the doorway.

- Secure the engage/disengage handle and string with the accessory supplied in such a manner so that the string is away from the moving parts.
- Move the door to half way open. If necessary, disengage the opener by pulling the cord down (**Fig.14**). Re-engage the opener by pulling the cord down again.
- Turn on the power to the opener. The controller will go through a start up sequence.
- After a short delay the MAIN SCREEN (**Fig. 15**) will be displayed. If this is the first time the GDO-10v2 is being used, the MAIN SCREEN should enter into limit set mode and the blue close LED will be flashing. If the display shows that an input is active, then rectify the situation before continuing with the procedure for setting the travel limits. Press and hold the CLOSE button - the door should start closing.
  - » If the door opens, release the CLOSE button and press the STOP button once to change the motor's direction. Press and hold the CLOSE button until close position of the door is reached.
  - » If the door overshoots press the OPEN button to move the door in the open direction.
- When the door is at the desired close position, press the SET button to record the close limit position. The display will change and green open LED will start to flash (**Fig. 16**).
- Press and hold the OPEN button to open the door. When the door is at the desired open position, release the OPEN button
  - » If the door overshoots, press the CLOSE button to move the door in the CLOSE direction.



**WARNING!** Once the next step is performed, the door will automatically close and open to calculate force settings. Keep persons and objects clear of the door.

- Press the SET button to store the open limit. The door will now automatically close and open to calculate the safety obstruction settings. After this, If PE Beams are installed, the opener can be operated with the OPEN or CLOSE button on the wall control unit or from the transmitter. Otherwise, the controller will be loaded with "Safety Close Mode." (Page 29)

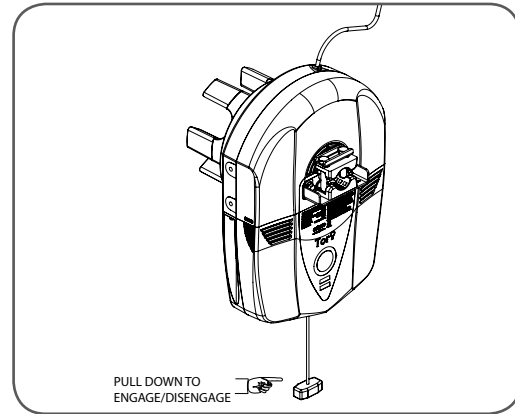


fig 14

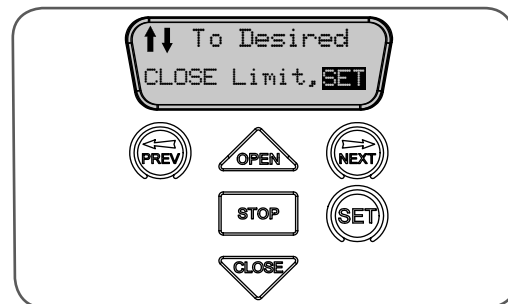


fig 15

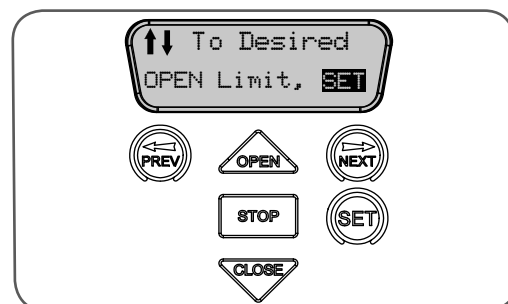


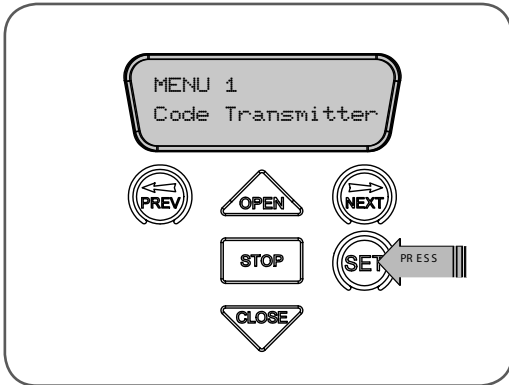
fig 16





# Setting Limits: Via Transmitter

fig 17



The GDO-10v2 has the alternate ability to set travel limits using the transmitter, allowing free movement around the garage to better assess the desired limit positions. In order to use a transmitter, it must first have at least one of its buttons coded to the door controller. The function assigned to the transmitter's buttons is of no concern here as the buttons are temporally assigned to OPEN, CLOSE and SET (Fig. 18).

## Step 7 - Code A Transmitter For Limit Setting Step 7.1 - Navigating to "code transmitter" menu

1. Press NEXT to navigate to Menu 1.
2. Press SET to enter the code set procedure (Fig. 17).

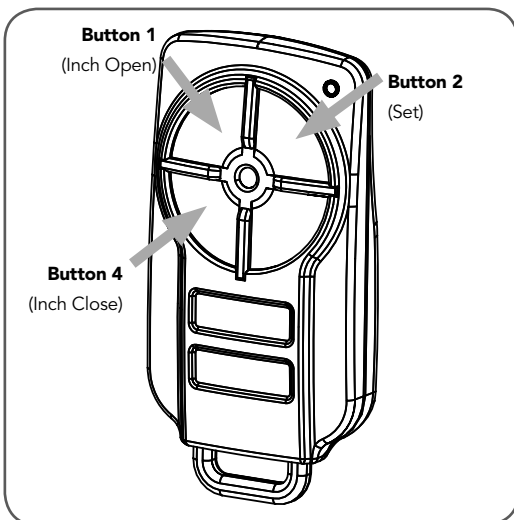
## Step 7.2 - Storing Transmitter Code

1. Controller will prompt to press one of the transmitter's button.
2. Press the transmitter button you wish to use to operate the door opener (e.g. button 1).
3. Press the same transmitter button again as prompted by display.
4. Press the set button to store the transmitter.

## Step 7.3 - Navigating To "Set Door Travel Menu"

1. Press PREV to navigate to Menu 10.
2. Press SET to display MENU 10.1.
3. Press SET two times to enter the limit setting procedure. The close blue LED will start to flash.

fig 18



## Setting Limits Via Transmitter

Press and hold Button 4 on the transmitter to close the door.

- » If the door opens, release button 4 and press the stop button once on the wall control unit to change the direction of the motor. Then press and hold Button 4 on the transmitter to close the door.

- » If the door is closed too far, press Button 1 to "inch" the door towards open.

When happy with the close limit position, press Button 2 to store this in the memory. The open green LED will start to flash.

Press Button 1 to open the door.

- » If the door is opened too far, press Button 4 to "inch" the door towards close



**WARNING: The door will automatically close and open once next step is performed. Ensure that no persons or objects are in the door's path.**

When happy with the open limit position, press Button 2 on the transmitter to store into memory.

The door will now automatically close and open to calculate the safety obstruction settings. After this, if PE Beams are installed, then the opener can be operated with the OPEN or CLOSE button on the wall control unit or from the transmitter. Otherwise, the controller will be loaded with "Safety Close Mode". (Page 29)





# Safety Obstruction Force

## Safety Obstruction Force Test



**WARNING!** Take care when testing or adjusting the Safety Obstruction Force. Excessive force may cause **SERIOUS PERSONAL INJURY** and/or **PROPERTY DAMAGE**.

### Step 8.1 - Testing Close Cycle

- a. Press the OPEN button to open the door.
- b. Place a piece of timber approximately 40mm high on the floor directly under the door (**Fig. 19**).
- c. Press the CLOSE button to close the door. The door should strike the object and start to re-open.

### Step 8.2 - Testing Open Cycle

- a. Press the CLOSE button to close the door.
- b. Press the OPEN button to open the door. When the door reaches the half open point, grab the bottom rail of the door firmly and the door should stop.
- c. If the door does not reverse readily when closing, or stop when opening, the force may be excessive and need adjusting. Please refer to Adjusting Safety Obstruction Forces. (Page 20)



**DANGER!** If the door fails these tests, put the opener into manual mode, only operate the door by hand and call for service.

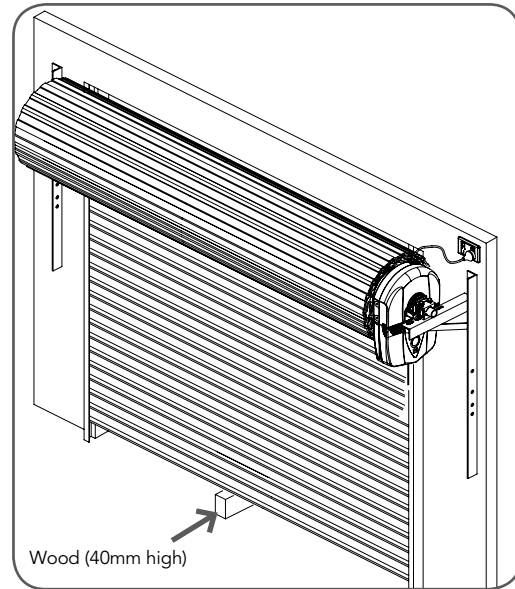


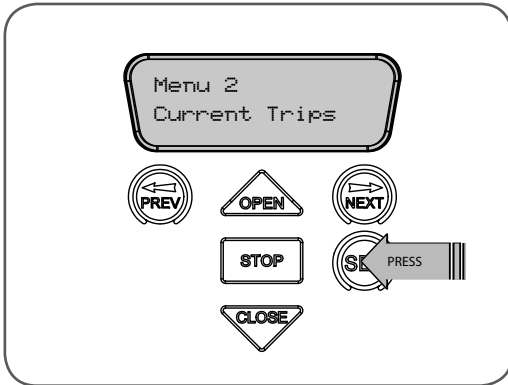
fig 19





# Adjusting Safety Obstruction Force

fig 20



## Safety Obstruction Force

The Safety Obstruction Force is calculated automatically during setup. Adjusting this is normally only necessitated by environmental conditions such as windy or dusty areas, and areas with extreme temperature changes.

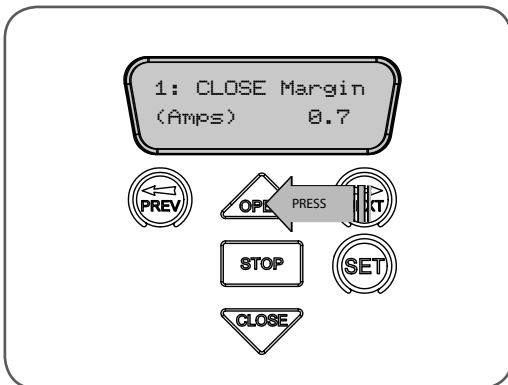


**WARNING: The PE Beams must be used if the closing force as measured on the bottom of the door is over 400N (40kg).**

## Step 9.1 - Force Pressure For Close Cycle. Navigating To "Current Trips"

1. Press NEXT or PREV to navigate to Menu 2 Current Trips.
2. Press SET (Fig. 20)
3. MENU 2.1: CLOSE Margin is displayed (Fig. 21).
4. Press OPEN to increase or CLOSE to decrease the value.
5. Press SET to save the new value.
6. Test the force again as per "Safety Obstruction Force Test" on page 19.

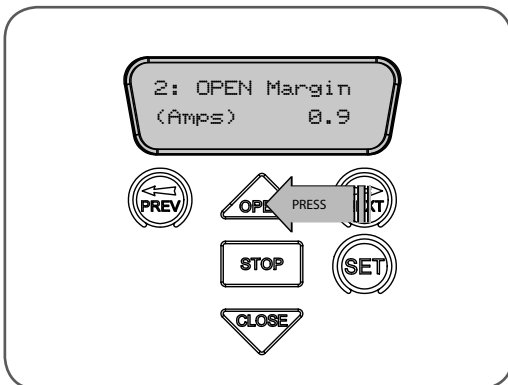
fig 21



## Step 9.2 - Force Pressure For OPEN Cycle. Navigating To "Current Trips"

1. Press NEXT to navigate to the Menu 2 Current Trips.
2. Press SET (Fig. 20)
3. Press NEXT.
4. MENU 2.2: OPEN Margin is displayed (Fig. 22).
5. Press OPEN to increase or CLOSE to decrease the value.
6. Press SET to save the new value.
7. Test the force again as per "Safety Obstruction Force Test" on page 19.

fig 22



## Step 9.3 - To Recalculate Force Margins

- a. Reprofile is a simplified way of re-learning the travel characteristic of a previously setup Limit Switch travel installation. Re-profiling can be used when the travel characteristics of the door change due to mechanical adjustments etc. To initiate a re-profile, simply locate "MENU 10.2 Reprofile Travel", press SET and follow the prompts. The door will start to move and re-calculate force margins. The door can move between the open and close limit positions up to two (2) times (depending on the position of the door and the power up condition).
- b. A single beep will be heard once the process is complete.
- c. Test the force again as per "Safety Obstruction Force Test" on page 19.

Parameter	Min	Max	Default	Step	Unit	Menu No.
CLOSE MARGIN	0.0	2.0	0.7	0.1	AMPS	2.1
OPEN MARGIN	0.0	2.0	0.9	0.1	AMPS	2.2
OBST REVERSE TIME	5.0	60	FULL	1.0	SEC	2.3





# Coding Transmitter

The GDO-10v2 can store up to five hundred and eleven (511) transmitters in its memory. Each transmitter can be allocated an alpha-numeric ID label up to eleven (11) characters in length and each button can be assigned to one of several control functions. The settings for a transmitter are represented in **Fig. 23**. It shows the transmitter's store number, ID label or serial number and the functions assigned to each of its four buttons. To toggle between ID/SN display, press UP/DOWN with the cursor on the ID/SN indicator. The procedures below code, delete, replace, edit and copy transmitter records.

## Step 10 - Coding Transmitter Button

### Navigating To Menu 1 "Code Transmitter"

1. Press NEXT to navigate to Menu 1 (**Fig. 24**).
2. Press SET to enter the code set procedure.

### Storing Transmitter Code

1. The controller will prompt to press one of the transmitter's buttons.
2. Press the transmitter button you wish to use to operate the Door Opener (e.g. button 1) (**Fig. 25**).
3. Press the same transmitter button again as prompted by the display (**Fig. 26**).

### Selecting Function Of The Button

The controller will now show the transmitter's record, with a cursor on the field for the button being coded (**Fig. 27**). Use OPEN/CLOSE to select the function for the button.

#### Available functions:

- OSC (Open/Stop/Close)
- PED (Pedestrian access)
- SWP (Swipe)
- CLS (Close)
- OPN (Open)
- STP (Stop)
- LGT (Courtesy Light)
- VAC (Vacation Mode)
- AUX (Auxiliary)
- OFF (No action)

**NOTE:** OSC will change to OS in the case where PE Beams are not installed.

Press SET to save the settings or STOP to abort without saving (**Fig. 28**).

### Returning To Main Screen

The "Code Transmitter" menu will now be shown. Press STOP to return to the MAIN SCREEN and test the transmitter.

**NOTE:** To edit the other settings, refer to TRANSMITTER EDIT PROCEDURE.

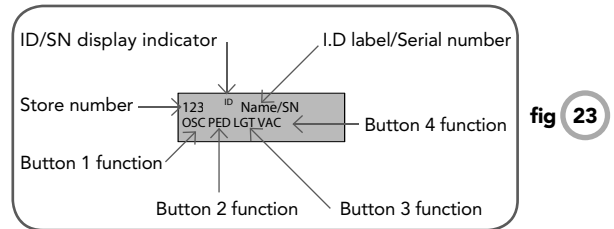


fig 23

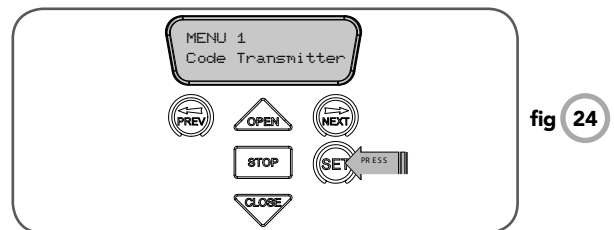


fig 24

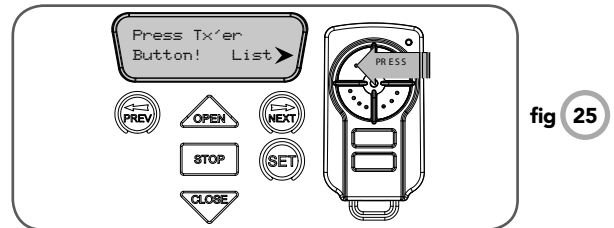


fig 25

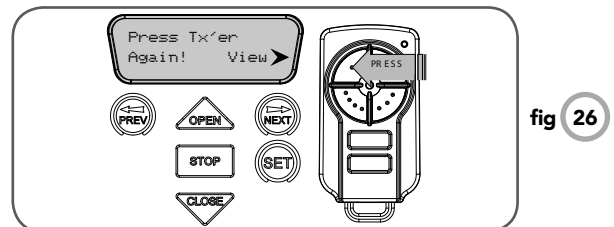


fig 26

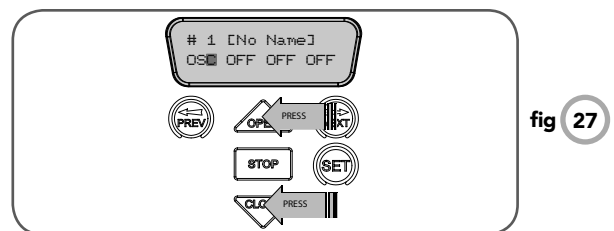


fig 27

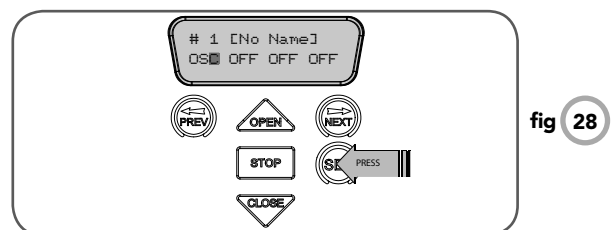


fig 28





# Transmitter Editing

fig 29

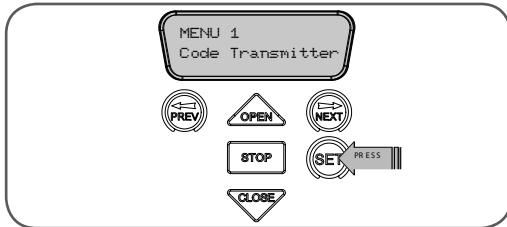


fig 30

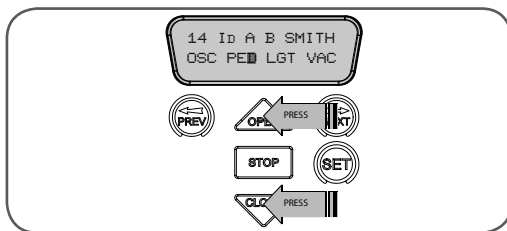
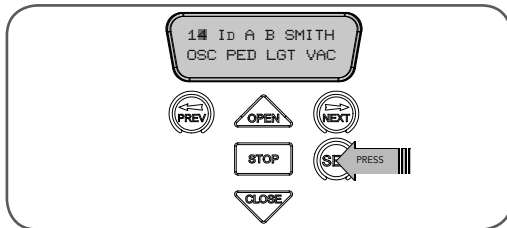


fig 31



## Editing Transmitter Settings

### Display Transmitter Record

Using one of the methods below, display the required transmitters details.

### Navigating To "Edit Transmitter" Menu

1. Press NEXT to navigate to Menu 1 (Fig. 29) .
2. Press SET to enter the transmitter edit procedure.
3. Press NEXT to enter transmitter list and edit mode.

### Editing Button Function Field

1. Press NEXT or PREV to move the cursor to the left or right and between the top and bottom lines to select the desired field.
2. Press OPEN or CLOSE to change the displayed value (Fig. 30). The available functions are shown below. Selecting OFF will prevent the opener responding to that button.

#### Available functions

- OSC (Open/Stop/Close)
- PED (Pedestrian access)
- SWP (Swipe)
- CLS (Close)
- OPN (Open)
- STP (Stop)
- LGT (Courtesy Light)
- VAC (Vacation Mode)
- AUX (Auxiliary )
- OFF (No action)

**NOTE:** OSC will change to OS in the case where PE Beams are not installed.

3. Press SET to save changes or press NEXT or PREV to move to the next field. The example in (Fig. 31) shows that PED is assigned to the transmitter button 2. The transmitter in the example is transmitter number 14 which has the ID label AB Smith.

**NOTE:** If all button functions are set to OFF, when SET is pressed, the opener will prompt to confirm if the transmitter is to be deleted. Press SET to delete or STOP to continue editing.





# Transmitter Editing (cont.)

## Editing The Store Location

This feature is only available when coding the first button of a new transmitter.

1. Press NEXT or PREV to move the cursor over Store No. (**Fig. 32**)
2. Press UP or DOWN to select new Store No.
3. Press SET to Confirm or NEXT/PREV to move to the next field.

This is useful when managing transmitters using a scheme which ties the store location to the transmitter's owner.

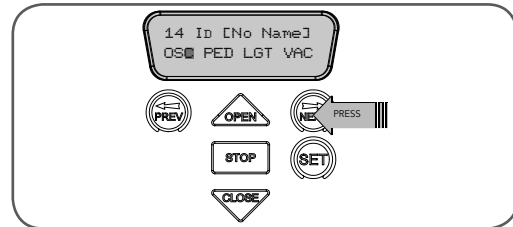


fig 32

## Selection Of ID or Serial Number Display

1. Press NEXT to navigate to the Menu 1 "Code Transmitter" (**Fig.33**).
2. Press SET to enter the transmitter edit procedure.
3. Press NEXT to enter transmitter list and edit mode.
4. Press NEXT/PREV to move the cursor over the ID field.
5. Press NEXT to reveal the Serial Number (**Fig. 34**).

The serial number display is provided for additional means of identification. The transmitter in this example has serial number 12345.

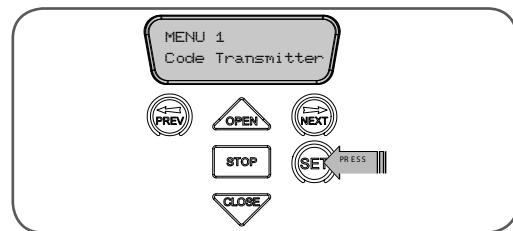


fig 33

## Editing A Character Field

1. Press NEXT or PREV to move select character. (**Fig. 35**)
2. Press UP or DOWN to scroll through and select a new character.
3. Press NEXT or PREV to move to the next character.
4. Repeat step 2.
5. Press SET to record changes.

The second line of the display shows a list of available characters with the current value indicated at the cursor position (**Fig. 36**).

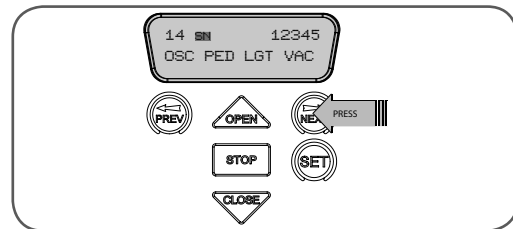


fig 34

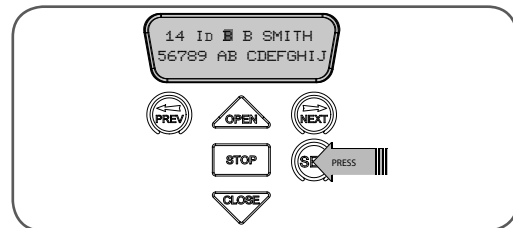


fig 35

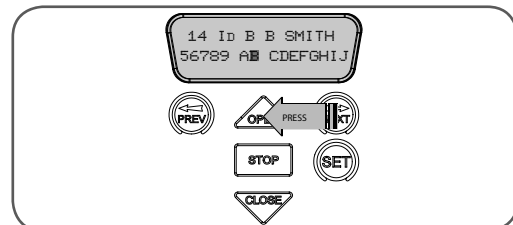


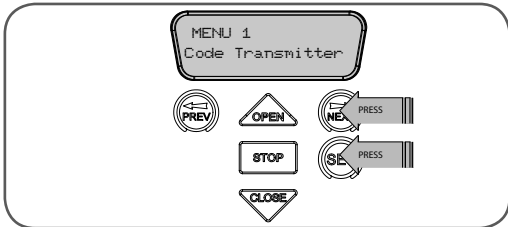
fig 36





# Transmitter Management

fig 37



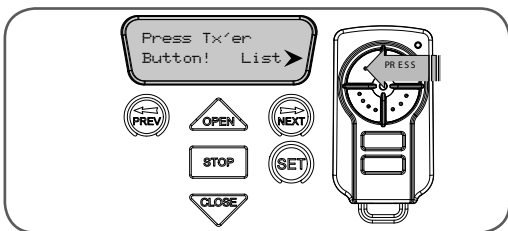
The GDO-10v2 provides a transmitter listing facility which enables the user to find a transmitter location within the memory. Once located a stored transmitter can be replaced, deleted, edited, copied or, if the location is empty, a new transmitter can be coded.

## Method 1 - Go To The Start Of The List

### Step 1 - Accessing The List Menu

1. Press NEXT to navigate to Menu 1 (Fig. 37).
2. Press SET to enter the transmitter edit procedure.
3. Press NEXT to enter the transmitter list and edit mode.

fig 38

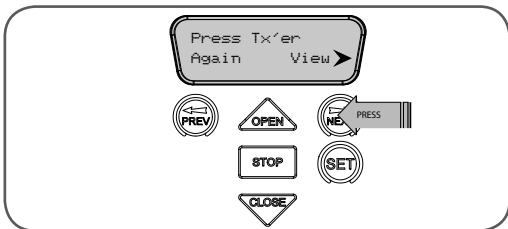


## Method 2 - Use The Transmitter To Go Direct To The List

### Step 2 - Accessing The List Menu

1. Press NEXT to navigate to Menu 1 (Fig. 37).
2. Press SET to enter the transmitter edit procedure.
3. Press the transmitter once (Fig. 38).
4. Press NEXT to view the transmitter parameters (Fig. 39). This method is used for quick navigation if the transmitter is available.

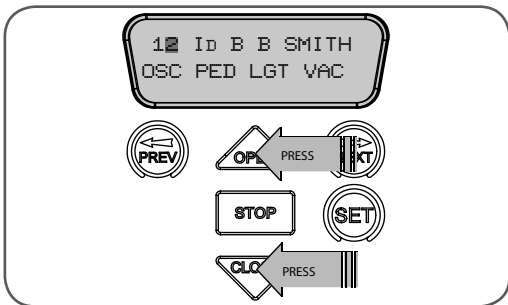
fig 39



**NOTE: "VIEW" will not be shown if the transmitter is not stored. Once the list is displayed, it can be sorted by stored number, ID Label or Serial Number. Use the NEXT or PREV buttons to select the sorting method.**

**NOTE: When sorting by ID label or S/N, only stored transmitters locations are displayed.**

fig 40



## Step 3 - Navigating The List

1. Press the OPEN or CLOSE buttons to navigate through the list (Fig. 40).

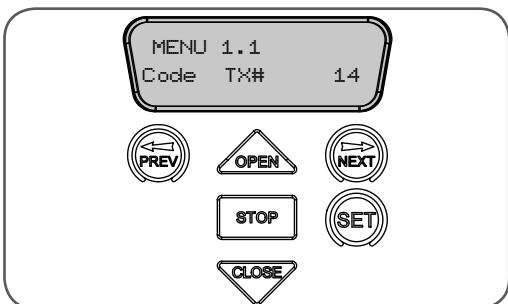
**NOTE: Holding a button down will step through the list faster.**

2. Press SET to display the menu of available functions.

## Selecting An Operation

Press NEXT or PREV to cycle through the four menu options (Fig. 41-43). Press STOP to return to the list. Press SET to execute the menu's operation.

fig 41



## Code Operation (location empty)

If the code operation is selected on an empty transmitter location, the BASIC CODE TRANSMITTER PROCEDURE will be initiated with the transmitter being saved in the selected location. This is useful when managing transmitters using a scheme which ties the store location to the transmitter's owner.







# Transmitter Management

## Code Operation (location used)

If the code operation is selected for a location that already contains a transmitter, then the BASIC CODE TRANSMITTER PROCEDURE will be initiated and the new transmitter will replace the existing one. Note that the button functions and name of the existing transmitter will be transferred to the new transmitter. This procedure is of great convenience when replacing a lost transmitter.

## Delete Operation

The delete operation is used to remove a transmitter from memory along with the name and button function settings.

## Edit Operation

The edit operation displays the transmitter record for editing purposes. See TRANSMITTER EDIT PROCEDURE for details.

## Copy Operation

The copy operation is used to code multiple transmitters with the same button function as that of the selected transmitter. Once selected an abbreviated code set routine is initiated which repeats steps 2 & 3 of the BASIC CODE TRANSMITTER PROCEDURE for each transmitter to be coded. Coding is terminated by pressing the STOP button.

## Exiting The List

To exit the transmitter list, simply press STOP to return to the Code menu.

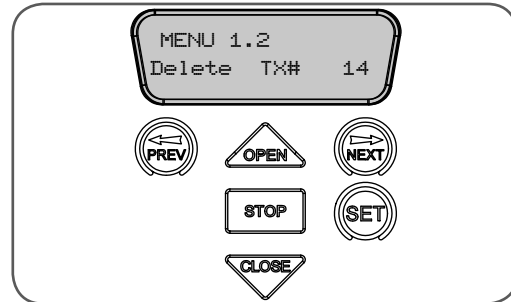


fig 42

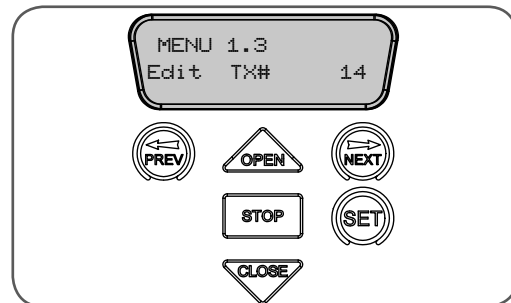


fig 43

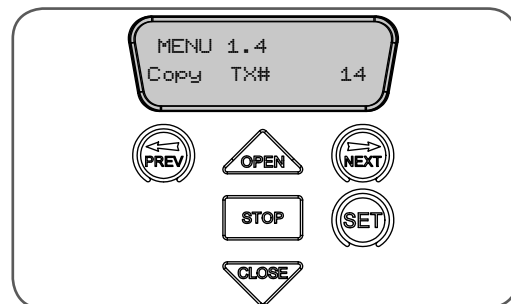


fig 44





# Remotely Coding Transmitters

fig 45

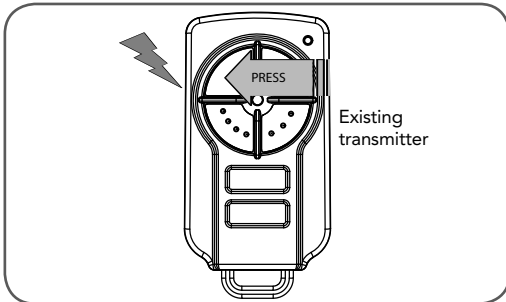


fig 46

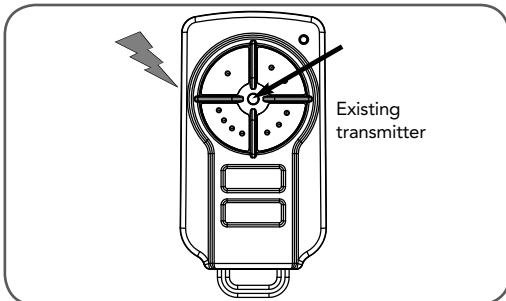
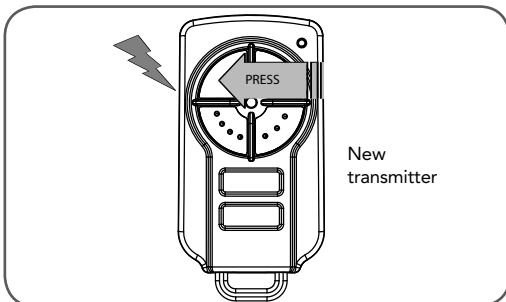


fig 47



If a transmitter is already coded into the opener, additional transmitters can be coded without being in direct contact with the opener's control panel.

**NOTE: Only the function of the existing transmitter button can be assigned to new transmitter. Please read instructions prior to proceeding - there is a time-out facility for security reasons.**

## Step 11.1 - Selecting The Function To Be Coded

Using the existing transmitter, operate the door with the transmitter button which has the function to be coded (**Fig. 45**) (e.g. Button 1 has been coded with the OSC function assigned).

## Step 11.2 - Wait For Door To Complete Cycle

If the button's function activates the door (PED, SWP, OSC, CLS, STP or OPN) wait for the door to complete its cycle.

## Step 11.3 - Activate Remote Code Set Mode

Use a small pin to press and hold through the Coding Hole of the existing transmitter for 2 seconds (**Fig. 46**).

## Step 11.4 - Code New Transmitter Button

Within 10 seconds, press the button on the new transmitter you wish to code for 2 seconds (**Fig. 47**).

## Step 11.5 - Confirm The Transmitter Button To Be Coded

Press the same button again (within 10 seconds) for confirmation.

## Step 11.6 - Test Operation

The new transmitter button should now function as the existing transmitter.

**NOTE: When a transmitter is remotely coded, its ID label is set to that of the existing transmitter. If the existing transmitter does not have an ID label assigned, then the ID label of the new transmitter is set to: R/C Tx ###, where ### is the existing transmitters store number. This ensures that the originator of any remotely coded transmitter can be identified.**





# Setting Pedestrian Position

## Pedestrian Access Position

After completing the limit setup procedure the Pedestrian Access position is automatically set to a position which is approximately in the middle of the door travel. The position can be manually set by following the SETTING PEDESTRIAN POSITION procedure.

### Step 12.1 - Setting Pedestrian Position

1. Drive and stop the door at the desired Pedestrian Access position by using a transmitter or wall control unit.
2. Press PREV to navigate to Menu 10.
3. Press SET. MENU 10.1 will be displayed.
4. Press NEXT to go to MENU 10.3
5. Press SET on the wall control unit to save the Pedestrian Access position (**Fig. 48**).
6. Press the STOP button to exit to the main screen.

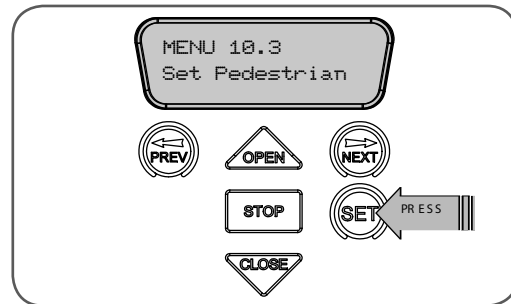


fig 48

### Step 12.2 - Checking Pedestrian Position

When activated by a transmitter button which is coded as Ped mode, the opener drives the door to the preset position from either above or below. Ped Mode's active status is indicated on the display (**Fig. 49**). If a Ped Mode button is pressed while the door is moving, the door will stop. If a Ped Mode button is pressed when the door is in the Ped position, then the door will close.

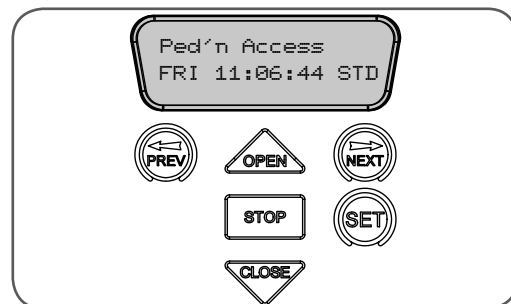


fig 49

## Errors During Setting Of Travel Limits And Pedestrian Position

During the above procedure many error checks are performed. If an error is detected, a message will be displayed indicating the error.

# Standard Operating Modes

This section describes the standard operation of the control board with the factory set default values.

## Motor Control

The controller drives the motor in the direction determined by the control inputs. Once a cycle is started the motor will continue to travel until:

1. The controller is instructed to stop by a control input; or;
2. The travel limit of the opener is reached; or,
3. The motor is obstructed, overloaded or stalls. When the control inputs instruct the control board to change the motor direction, the controller brakes the motor, waits for the door to stop moving and then starts the motor in the opposite direction.

## Motor Obstruction Detection

If the door is obstructed while opening, it will stop. If it is obstructed while closing, the door will stop and then reverse to the open position. Obstruction detection monitors the motor's speed and compares it to the "normal" speed profile for the motor. If the speed of a motor falls below "normal" then the motor is said to be obstructed. In addition to the normal motor obstruction detection, motor overload and stall detection is provided to protect the door and opener.





# Standard Operating Modes

## Motor Speed Control - SOFT START/SOFT STOP

The motor's speed is microprocessor controlled, ramping up speed as the door starts to move, and ramping down as it approaches the travel limits to provide a gentle stop.

## Lock Release Output

The lock release output is configured to pulse for the time set by the controller at the start of each cycle. The output is turned on at the same time the motor is activated.

## Courtesy Light

Courtesy lights can be connected using light relays N/O or N/C output. Normally used as a safety device to illuminate the area and warn pedestrians, the light will turn on each time the door is activated (day or night) and automatically turn off one (1) minute after the cycle has finished. The light timer is adjustable. The light can also be activated and deactivated by pressing a transmitter button assigned the LGT function.

## Photo electric (PE) EasyBeam™ Input

When the EasyBeam™ input is active, the door is prevented from being closed. If the EasyBeam™ input is triggered while the door is closing, the controller will stop the motor and then open the door. The EasyBeam™ input has no effect while the door is opening.

OPN input can also be configured as a second PE Beam input. The second PE (OPN) input must be active when the EasyBeam™ is activated in order for P.E triggered Auto-Close to be activated .

## Fire (FIRE) Input

Fire input can be configured as OPN ,CLS or PED function. The FIRE input terminal is activated with the N/O or N/C switch.

## When Fire Input Is Configured As OPN :

Activating the fire input will cause the door to open. Holding the input will prevent door from closing.

## When Fire Input Is Configured As CLS :

Activating the fire input will cause the door to close. Holding the input active will prevent door from opening.

## When Fire Input Is Configured As PED:

The activation of the fire input opens the door to partially allow pedestrian access but prevent vehicle access. The position the door is driven to is automatically set to halfway during setting of the travel limits, but can be adjusted to suit.

## GPI (General Purpose Input)

General purpose input can be configured as OSC, Ped or day light saving setup. The GPI input terminal is activated with the N/O switch.

## When GPI Selected As OSC :

If the door is moving, the activation of the GPI input or a transmitter button with the OSC function assigned will cause the door to stop. The next trigger will move the door in the opposite direction to that last travelled.

## When GPI Input Is Configured As PED :

The activation of the GPI input or a transmitter button with PED function assigned will open the door partially to allow pedestrian access but prevent vehicle access. The position the door is driven to is automatically set to halfway during setting of the travel limits, but can be adjusted to suit.

## When GPI Input Is Configured As Day Light Saving:

The GPI input can be used to switch between STD time and DST (daylight savings time). The time selected is the amount of time added to STD time when DST is selected.

Options are OFF, 30, 60, 90 or 120 minutes. The GPI input needs to be constantly active to show day light saving time.

## Open (OPN) Input

(Activated by OPN terminal with N/O or N/C switch, a transmitter button with OPN function assigned or by OPEN button on the console). Activating the OPN input will cause the door to open. Holding the input will prevent door from closing. OPN input can also be configured as second P.E Beams input.

## Stop (STP) Input

(Activated by STP terminal with N/O or N/C switch, a transmitter button with STP function assigned or by STOP button on the console). Activating the STP input while the door is moving will cause the door to be stopped. If the STP terminal is held, it will prevent the door from being moved.

## Close (CLS) Input

(Activated by CLS terminal with N/O switch, a transmitter button with CLS function assigned or by CLOSE button on the console). Activating the CLS input will cause the door to close. Holding the input active will prevent opening.

## Swipe Card (SWP) Input

(Activated by SWP terminal with N/O switch or a transmitter button with SWP function assigned). Activating the SWP input will cause the door to be opened. If the terminal input is held, it will prevent the door being closed. The swipe input also effects PE Beams TRIGGERED AUTO-CLOSE.





# Standard Operating Modes

## Vacation Mode

Vacation Mode blocks all but one designated remote control transmitter from activating the GDO-10v2 opener. The mode is activated by pressing a transmitter button with the VAC function assigned until the console displays that Vacation Mode is enabled (approx. 5 secs). When activated all the transmitter buttons will be ignored. To turn Vacation Mode off press a transmitter button with the VAC function assigned. Vacation Mode can also be turned on or off manually by editing the Vacation Mode parameter.

# Control Board Adjustments

The standard operation of the opener can be altered by editing various parameters. This section describes the parameters and the effect they have. Use the **VIEWING AND EDITING PARAMETER PROCEDURE** on Page 16 to make changes.

## Menu 2.3 Door Reverse Time After Close Obstruction

Normally after a close obstruction, the door will fully open to its open position. After a close obstruction, the open cycle can be reduced from 5 seconds to its full open position.

Parameter	Min	Max	Default	Step	Unit	Menu No.
Reverse Time After Close Obstruction	5.0	Fully Open	Fully Open	1	Sec	2.3

## Menu 5. Motor Settings

### Motor speed

The maximum speed the motors run at is controlled by the OPEN AND CLOSE SPEED VOLTAGE parameter. The default value is the maximum recommended for normal operation. If however the door moves too quickly for a particular installation, the voltage can be reduced to make the motors run slower. **NOTE: Altering these parameters will cause the travel limits to be cleared.**

Parameter	Min	Max	Default	Step	Unit	Menu No.
OPEN SPEED VOLTAGE Sets the full speed motor voltage	~12.0	~24	~22	~1	Volts	6
CLOSE SPEED VOLTAGE Sets the full speed motor voltage	~12.0	~24	~20	~1	Volts	6

## Menu 6. Operating Modes

### Menu 6.1 Safety Close Mode

By enabling this parameter, the user can close the door only by holding the close button on the wall control unit or by holding the CLS input active. The door can not be closed by Auto-Close or by transmitters. If the PE Beams are not installed, the controller will be loaded with Safety Close Mode and the following message will be displayed:

**ATTENTION! "SAFETY CLOSE MODE has been enabled as no P.E beam has been installed! This means that the door can only be closed by HOLDING the 'CLS input' or 'CLOSE button'. All other means of closing the door are disabled. Press SET to continue. "**





# Control Board Adjustments

## Menu 6.2 PE Beams Input Response Mode

The PE Beams input can be configured to respond in one of three modes.

### Reverses Close Cycles

In this mode, the PE Beams input has no effect when opening but will cause the door to reverse if activated when closing.

### Close Cycles Stop

In this mode, the PE Beams input has no effect when opening but will stop the door when closing.

### Open and Close Cycles Stop

In this mode, all cycles are prevented from being completed or initiated when the PE Beams input is active.

## Menu 6.3 PE Beams Obstruction Reverse Time Mode

Normally after a PE Beams obstruction the door will fully open to its open position. After a PE Beam Close obstruction, the doors open cycle can be reduced from 5 sec to its full open position.

## Menu 6.4 Pe Beams Type

GDO-10v2 supports EasyBeam™ or three wire beams.

## Menu 6.5 GPI Input

GPI input can be configured as OSC, PED or DST setup. The GPI input terminal is activated by the N/O switch.

### When GPI Selected As OSC:

If the door is moving, the activation of the GPI input or by a transmitter button with the OSC function assigned will cause the door to stop. The next trigger will move the door in the opposite direction to the last travelled.

### When GPI Input Is Configured As PED:

The activation of the GPI input or by a transmitter button with PED function assigned will open the door partially to allow pedestrian access but prevent vehicle access. The position the door is driven to is automatically set to halfway during setting of the travel limits, but can be adjusted to suit.

### When GPI Input Is Configured As DST:

The GPI input can be used to switch between STD time and DST (daylight savings time). The time selected is the amount of time added to STD time when DST is selected. The Options are OFF, 30, 60, 90 or 120 minutes. The GPI input needs to be constantly active to show day light saving time.

## Menu 6.6 PED Input Function

If GPI or Fire Input is selected as PED then these inputs can be configured to a SWIPE type input for pedestrian access. This provides full functionality with the PE Beams Triggered Pedestrian Auto-Close function.

## Menu 6.7 Open Input Polarity

The OPN input is normally configured for N/O operation. This parameter allows its operation to be changed to N/C.

## Menu 6.8 Open Input As A Second PE Beams Input

Selecting this parameter will allow the OPN input to be used as a second PE Beams input. When the OPN input is active, the door is prevented from being closed. If the OPN input is triggered while the door is closing, the controller will stop the motor and then open the door. The OPN input has no effect while the door is opening. The second PE Beams (OPN) input must be active when the PE Beams input is activated in order for PE Beams Triggered Auto-Close to be activated.

## Menu 6.9 STP Input Polarity

The STP input is normally configured for N/O operation. This parameter allows its operation to be changed to N/C.



# Control Board Adjustments

## **Menu 6.10 FIRE Input Polarity**

The FIRE input is normally configured for N/O operation. This parameter allows its operation to be changed to N/C.

## **Menu 6.11 FIRE Input Configuration**

Fire input can be configuration as OPN ,CLS (available only if PE Beams are installed) or PED function. Activated by FIRE input terminal with N/O or N/C (if selected) switch.

### **When Fire Input Is Configured As CLS :**

Activating the fire input will cause the door to close only if PE Beams are installed. Holding the input active will prevent door from opening.

### **When Fire Input Is Configured As PED:**

The activation of fire input will open the door partially to allow pedestrian access but prevent vehicle access. The position the door is driven to is automatically set to halfway during setting of the travel limits, but can be adjusted to suit.

### **When Fire Input Is Configured As OPN :**

Activating the fire input will cause the door to open. Holding the input will prevent the door from closing.

## **6.12 Remote Code**

The controller supports the Remote Code Set feature. This parameter can be used to disable the feature for security or transmitter management reasons.

## **6.13 Activity Reports**

This parameter enables activity report outputs. Contact Automatic Technology for more details.

## **6.14 Activity Report ID**

This parameter sets the ID of the controller that is sent with the activity report. Contact Automatic Technology for more details.

## **6.15 Vacation Mode**

Vacation Mode can be turned on or off using this parameter.

## **6.16 Standby Battery Enable/Disable**

The controller can be instructed to turn off the Battery Backup facilities so that the control board can be shut down without having to disconnect the Battery Backup system.

## **6.17 Password Protection**

The password feature enables all parameters and configuration settings to be protected unless a password is entered. When this feature is turned on, the user is requested to enter the desired password to be used. The password protection feature has a time-out that expires after 60 seconds of inactivity. Alternatively, the user may log out manually by pressing exit when the main screen is displayed.

## **6.18 Transmitter Grouping**

The transmitter store number display format can be changed to show a grouped format. When grouping is selected, instead of displaying the store location as a number between 1 and 511, it will display as ##\$ where ## is the group number and \$ is a character a,b,c,d,e,f,g or h which indicates the group member.

## **6.19 Fault, Auto Reset**

When selected, the controller will reset any fault automatically.

## **6.20 LED Low Power Mode**

When LED low power mode is selected, the controller will turn the LED power off to save the power.

## **6.21 Console OSC Buttons**

Console can be locked out by selecting console OSC buttons OFF.





## 6.22 AUX Output Operation

AUX output can be selected to be driven by:

### Light Drive

Although the GDO10v2 drive unit has a light relay output, a light relay module can be connected on the console between V+ and AUX OUT terminal which will turn the courtesy light on and off.

### Clock/Transmitter

By selecting this option, AUX output can be triggered by programming the clock timer or by the transmitter.

### Open Status

Selecting this option will cause the AUX output to stay active as long as the door stays open.

### Close Status

Selecting this option will cause the AUX output to stay active as long as the door stays closed.





# Control Board Adjustments

Parameter	Min	Max	Default	Step	Unit	Menu No.
Safety Close Mode	OFF	On	On			6.1
PE Beams INPUT RESPONSE MODE Sets the P.E response mode. Options are OPEN and CLOSE cycles stop, Close cycles stop or Close cycle reverse	OPN & CLS stop CLS to stop CLS to reverse		CLS to reverse			6.2
PE REVERSE TIME	5	FULL	FULL	1	Sec	6.3
PE TYPE EasyBeam™ or three wire supported		3 WIRE	EasyBeam™			6.4
GPI INPUT MODE configure the GPI input. Options are OSC, PED and DAY LIGHT SAVING	OSC, PED, DST		OSC			6.5
PED INPUT = SWIPE MODE Selects PED input functions as pedestrian access swipe input	Off	On	Off			6.6
OPN INPUT N/C OPERATION Selects operating polarity of OPN input	Off	On	Off			6.7
OPN I/P = 2ND PE BEAMS OPERATION Configure OPN input to take 2ND PE BEAMS	Off	On	Off			6.8
STP INPUT N/C OPERATION Selects operating polarity of STP input	Off	On	Off			6.9
FIRE INPUT N/C OPERATION Selects operating polarity of FIRE input	Off	On	Off			6.10
FIRE INPUT MODE configure the fire input. Options are OPN, CLS and PED	OPN, CLS, PED		OPN			6.11
REMOTE CODE ENABLED Selects remote transmitter coding function	Off	On	On			6.12
ACTIVITY REPORTS Select report to be output	Off	255	Off	1		6.13
ACTIVITY REPORT ID Selects ID for controller, sent with activity report	0	65535	0	1		6.14
VACATION MODE Selects Vacation Mode - disables remote control	Off	On	Off			6.15
BATTERY/SOLAR MODE Selects Battery Backup/Solar operation	Off	On	On			6.16
PASSWORD Selects password protection for all changes	Off	On	Off			6.17
Transmitter Grouping	Off	On	Off			6.18
Fault Auto Reset Selects Fault Auto Reset	Off	On	Off			6.19
LED Low Power Mode Selects saving the power by turning LEDs Off	Off	On	Off			6.20
Console OSC Buttons Selects to lock out the console buttons	Off	On	On			6.21
AUX OUT O/P can be activated by either LIGHT DRIVE ,CLOCK/TXER ,OPEN or CLOSE status			LIGHT DRIVE			6.22





# Time Clock

fig 50

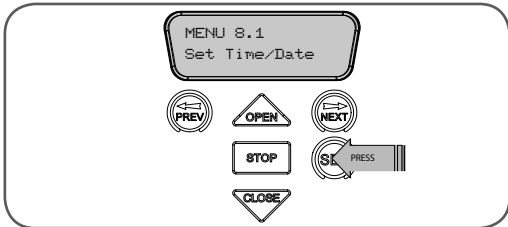


fig 51

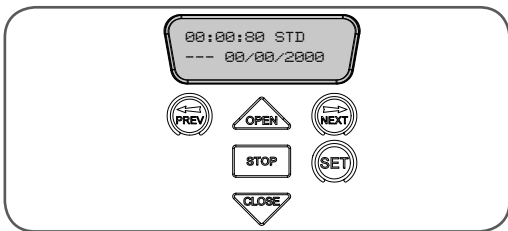


fig 52

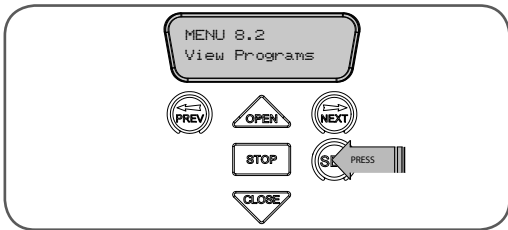
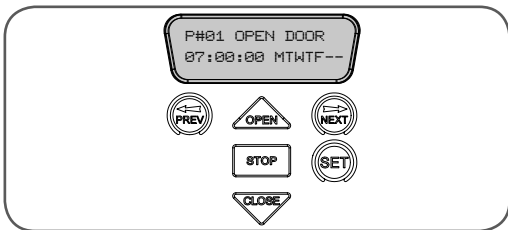


fig 53



The opener provides a programmable time clock which can be used to control the GDO-10v2 on a timed basis at various times of the week. This section details the time clock operation and configuration.

## Time Clock Operation

The time clock consists of a 7 day clock and storage for 32 programs. The clock is powered by its own battery and therefore does not lose time when the GDO-10v2 is turned off. Each time clock program defines the time of the day and the days of the week it is to run and the output function to be executed. Any combination of the days of the week can be selected.

## Step 13 - Time Clock Settings

The Time Clock settings are accessed by selecting the Time Clock menu (MENU 7). Press SET (Fig. 50) to enter the menu and then PREV or NEXT to navigate through the options.

## Menu 7.1 Set Time/date

This is where the current time, date and day are displayed and set (Fig. 51).

**NOTE: The time is in a 24 hour format and the Day of the week is not automatically set with the date. To change the settings simply press UP or DOWN to display the cursor and then move to the field to be changed using the NEXT / PREV buttons. Then press OPEN/CLOSE to change the setting and then the SET or STOP buttons to save.**

## Menu 7.2 View Programs

Select this menu to display or edit the Time Clock programs (Fig. 52). When selected, program number 1 is displayed and the cursor is shown on the program number field. The other fields shown include the function, time and days of operation. The example Fig. 53 shows that DOOR will OPEN at 7 am on Mondays, Tuesdays, Wednesdays, Thursdays and Fridays. Use the OPEN /CLOSE buttons to scroll through the other programs.

To edit a program, simply press the NEXT / PREV buttons to move the cursor onto the required field and press the OPEN/CLOSE button to change the value. To save the program settings, press SET or to exit without saving press STOP.





# Time Clock

The selectable functions available are:

## **RX = Off**

From the time when the program with RX = OFF is activated, all the transmitters will be disabled.

## **RX = On**

From the time when program with RX = ON is activated, all the transmitters will be enabled.

## **Open Door**

From the time when the program with OPEN DOOR is activated, the door will open and stay open.

## **Stop Door**

This feature will let the user activate the stop function until the next program starts. The door will not open or close while stop is activated.

## **Free Door**

Release the controls from the timer.

## **Off**

This will temporarily disable the program.

**NOTE: The most recent program that applies to an output remains active until a new program takes effect.**

**NOTE: If a Time Clock program does not have a day selected then it can not be executed. If a Time Clock program is taking control of the opener, then this status is displayed on the LCD. The MAIN SCREEN and clock status screen flashes alternatively.**

## **Menu 7.3 Settings**

Under this menu, three sub menus are available:

### **1. Run Programs**

The programs of the timer can be interrupted by selecting RUN PROGRAM off.

### **2. Configuration Of GPI Input**

General Purpose Input can be configured as OSC, PED or DST setup. This is activated by the GPI input terminal with the N/O switch.

#### **When GPI Selected As OSC:**

If the door is moving, the activation of GPI input or pressing a transmitter button with the OSC function assigned will cause the door to stop. The next trigger will move the door in the opposite direction to the last travelled.

#### **When GPI Input Is Configured As PED:**

The activation of the GPI input or by pressing a transmitter button with PED function assigned will open the door partially to allow pedestrian access but prevent vehicle access. The position the door is driven to is automatically set to halfway during setting of the travel limits, but can be adjusted to suit.

#### **When GPI Input Is Configured As DST:**

GPI input can be used to switch between STD time and DST (daylight savings time). The AUX input needs to be constantly active to show day light saving time.

### **3. Day Light Saving Time Adjustment**

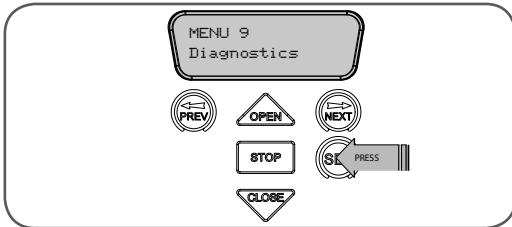
The time selected is the amount of time added to STD time when DST is selected by AUX input. Options are OFF, 30, 60, 90 or 120 minutes.





# Diagnostic Tools

fig 54

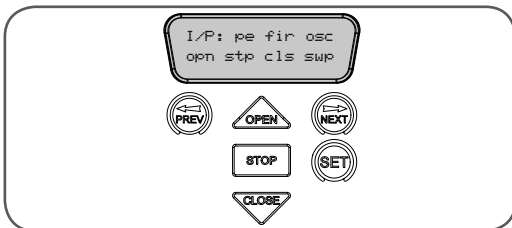


The controller provides several diagnostic tools from within the Diagnostics Menu (Menu 8). This section details the function of each tool and its use.

## Navigating To Diagnostics Menu

1. Press PREV to navigate to Menu 8 (Fig. 54).
2. Press SET to display the menu of available functions.
3. Press PREV or NEXT to cycle through diagnostic tools.
4. Press SET to select.

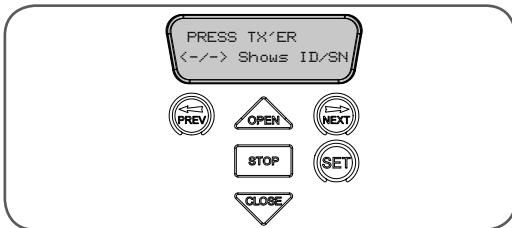
fig 55



## Menu 8.1 Test Inputs

This tool is used to view the state of the control inputs. When selected, a screen is displayed (Fig. 55) which indicates the state of each input. If the name of the input is in upper case, then the input is active. Conversely if the input is in lower case, then the input is inactive. For normal operation, all inputs should be inactive. When finished, press STOP.

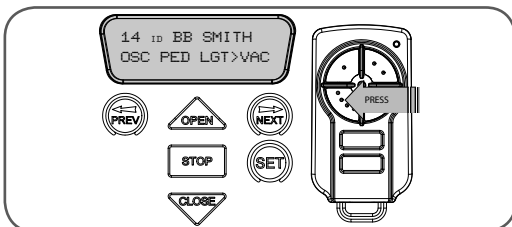
fig 56



## Menu 8.2 Test Tx'ers

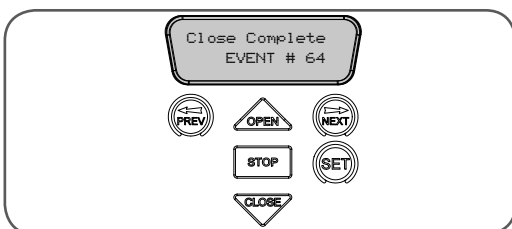
This tool is used to test receiver/transmitter functionality. When selected, a screen is displayed which prompts for a transmitter button to be pressed (Fig. 56) and whether ID or serial numbers are to be displayed.

fig 57



The opener will then beep each time a transmission is received. If the transmitter button is stored in the controller memory and has a function assigned to it, a second screen will be displayed that shows the transmitter details along with the button pressed (Fig. 57). The example shows the case where transmitter number 14 is activated by button 4. Note ID is selected for display.

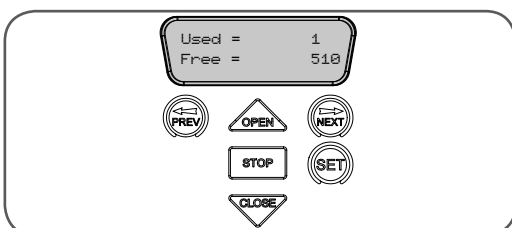
fig 58



## Menu 8.3 Display History

The opener keeps a record of the last 64 events that have taken place. The events include the type of drive cycles executed, obstruction detection, various faults, power failures etc. When this tool is selected, the screen displays the last event that occurred (Fig. 58). Press NEXT or PREV to view each event. The "EVENT#" field shows the sequence of the events, with (1) being the first and (64) being the last. The example shows that the last event was a close cycle which succeeded in closing the door. When finished viewing the events, press STOP to exit.

fig 59



## Menu 8.4 Memory Usage

This tool displays the number of transmitter store locations used and the number free (Fig. 59).





# Diagnostic Tools

## Menu 8.5 Service Counter

The opener provides a periodic service counter which can be set to expire after a number of drive cycles. When expired, the opener will beep three times at the beginning of each drive cycle and a message will be displayed on the MAIN SCREEN (Fig. 60). This tool displays the current value of the service counter and allows the user to set its value using the normal parameter editing techniques (See PARAMETER VIEWING AND EDITING). If the service counter is not to be used, it can be set to the maximum number (60,000).

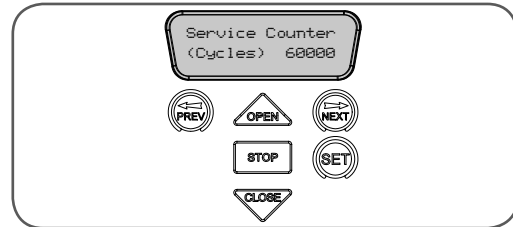


fig 60

## Menu 8.6 Event Counters

The opener keeps a count of number of times a particular event occurs. The list of event counters kept is shown below. When this tool is selected, the first event counter is shown (Fig. 61). Press NEXT or PREV to step through the list. The example shows the OPEN CYCLE event counter with a value of 500. When finished viewing press STOP.

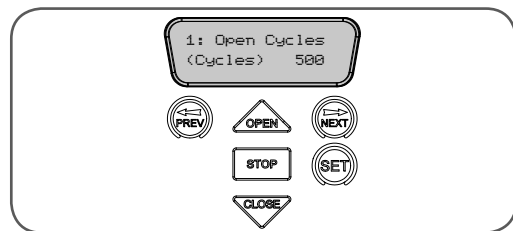


fig 61

- |                            |                          |
|----------------------------|--------------------------|
| 1: Open Cycles             | 2: Close Cycles          |
| 3: PED Cycles              | 4: Warranty Cycles       |
| 5: Open Obstructions       | 6: Close Obstructions    |
| 7: Open O/LS               | 8: Close O/LS            |
| 9: Setup Limits            | 10: Drive Faults         |
| 11: Volt Faults            | 12: Low Motor Amp Faults |
| 13: Amp ADC Faults         | 14: Supply Hi Faults     |
| 15: Supply Low Faults      | 16: Amp Trip Faults      |
| 17: Position Sensor faults | 18: Drive Memory Faults  |
| 19: Position Wrap Faults   | 20: Direction Faults     |

## Menu 8.7 Install Data

### Open Position

Shows the fully open position door counter.

### PED Position

Shows the pedestrian position counter.

### Open Time

Time taken for the opener to drive the door to open position.

### Close Time

Time taken for the opener to drive the door to the close position.

## Menu 8.8 Parameters

Supply voltage, cutout maximum current allowed to use by the opener, percentage of charge in the batteries, battery voltage, battery charging voltage, motor voltage, current used by the system and current position counter value are displayed under this menu.

All the parameters mentioned above can also be viewed while the opener is running. By default, the current used by the motor will be displayed on the LCD screen. This can be useful to check the condition of the door. Scroll through other parameters by pressing NEXT or PREV buttons while the door is running

## Menu 8.9 Version Info

Firmware information for the GDO10v2 drive and console are shown here.





# Memory Tools

## Menu 9.0 Memory Tools

The Memory Tools accessed from within Menu 9 are used to clear the transmitters codes from the openers memory and clear the controller's memory. Once selected, the PREV or NEXT buttons can be used to view the Memory Tool options. To execute the displayed option, simply press SET.

## Menu 9.1 Clear Control

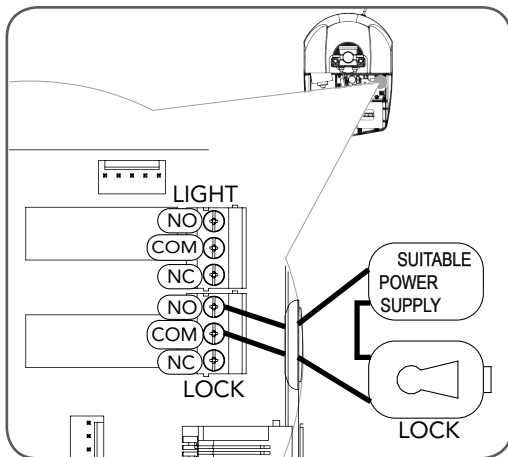
This option will clear the door control memory and reload the factory set defaults for parameters such as the lock time, light time, Auto-Close times etc. It will also clear the travel limits.

## Menu 9.2 Clear Tx'ers

This option will clear the transmitter storage memory.

# Accessories Installation

fig 62



## Step 14 Lock

### Step 14.1 - Fitting Solenoid Or Magnetic Locks

Install the lock mechanism on the door as per the manufacturers instructions. See Fig. 62 for the wiring diagram.

## Menu 4. Lock Times

Lock output can be programmed for both hold and pulse mode. The operation of the lock can be programmed to activate prior to the door and behave differently on open cycles to that on close cycles.

1. Press NEXT or PREV on the wall control unit to navigate to Menu 4 Lock Times.
2. Press SET to select the sub menu.
3. Press NEXT or PREV to navigate through the sub menu.
4. Press OPEN to increase or CLOSE to decrease the time.
5. Press SET to save the new time.
6. Press the STOP button two times to exit and test the locks operation.

Parameter	Min	Max	Default	Step	Unit	Menu No.
OPEN LOCK TIME Set the time the lock is activated for on open cycles	0.0	Hold	0.0	0.1	Sec	4
CLOSE LOCK TIME Set the time the lock is activated for on close cycles	0.0	Hold	0.0	0.1	Sec	4
PRE-OPEN LOCK TIME Time the lock is activated for prior to opening	0.0	25.5	0.0	0.1	Sec	4
PRE-CLOSE LOCK TIME Time the lock is activated for prior to closing	0.0	25.5	0.0	0.1	Sec	4





# Accessories Installation

## Step 15 - Courtesy Lights

### Step 15.1 - Fitting Courtesy Lights

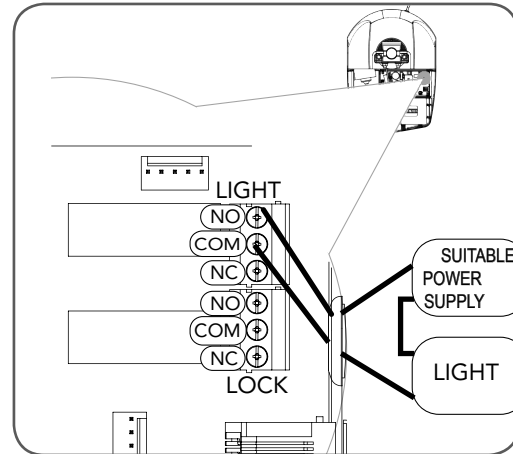
An AC or DC courtesy light can be activated via an output on the door opener control board. Connect the light as per the diagram at right. (Fig. 63)



**WARNING: A qualified electrician must perform the installation where 240V AC power is used.**

### Menu 5. Light times

1. Press NEXT or PREV on the wall control unit to navigate to Menu 5 Light Times.
2. Press SET to select the sub menu.
3. Press NEXT or PREV to navigate through the sub menu.
4. Press OPEN to increase or CLOSE to decrease the time.
5. Press SET to save the new time.
6. Press the STOP button two times to exit.
7. Test the light operation.



Parameter	Min	Max	Default	Step	Unit	Menu No.
ON AFTER CYCLE LIGHT TIME Time light remains on for after a cycle	0	255	60	1	Sec	5
ON BEFORE OPEN CYCLE LIGHT TIME Minimum time light is activated for prior to opening	0	25.5	0	0.1	Sec	5
ON BEFORE CLOSE CYCLE LIGHT TIME Minimum time light is activated for prior to closing	0	25.5	0	0.1	Sec	5





# Auto-Close Mode

## Step 16 - Setting Up Auto-Close Mode

**NOTE: the Auto-Close function is not available unless PE Beams are installed.**

Auto-Close mode is a function that automatically closes the door a preset time after the PE Beams recognise that a vehicle has left the garage.

The Auto-Close timer only starts after the PE Beams path is broken and the Auto-Close timer has been set. If the PE Beams path is not broken, the door will remain open until the path is broken. If the opener incurs a physical obstruction (i.e. not from the PE Beams) while closing, the door will re-open and not Auto-Close until the PE Beams path is broken again.

### Menu 3. Auto-Close Times

The Auto-Close modes automatically close the door after it has been operated. To implement this, the controller starts a timer once the door has reached its desired open position. The timer then counts down and when it expires the controller starts to close the door. Details of the four Auto-Close modes are outlined below:

#### Standard Auto-Close

This mode is selected by entering a non-zero time for the **STD Auto-Close** parameter. When selected, the door will Auto-Close after being fully opened (except when the door has reversed to the open position after a motor obstruction or overload unless A/C after open and/or close Obstruction are selected). Countdown is suspended by: P.E., OPN or SWP input being active. The countdown is aborted if the STP input is activated. If the door is already open and the OPN or the SWP input is activated, then the countdown will start.

#### PE Beams Triggered Auto-Close

This mode is selected by entering a non-zero time for the **"PE Beams Auto-Close"** parameter. This mode is used to Auto-Close the door but only after a vehicle have passed through the doorway and has triggered the PE Beams input. The swipe input can be used to clear the P.E triggered status so that the PE Beams input must be activated again before the countdown will start. As with the other PE Beams modes, the STP input will abort countdown and the OPN and SWP inputs will restart the countdown if the door is OPEN.

#### Pedestrian Access Auto-Close

This mode is selected by entering a non-zero time for the **"Ped'n A/C"** parameter. When selected, the door will Auto-Close after being opened for pedestrian access unless it was following a reverse from an obstruction.

#### PE Beams triggered pedestrian Auto-Close

This mode is selected by entering a non-zero time for the **"P.E. Ped'n A/C"** parameter. This mode is the same as the PE Beams triggered Auto-Close mode but it only operates during pedestrian access. As the SWP input is not available during pedestrian access, the PED input can be configured to act in a SWP mode by setting the **"PED I/P = PED SWIPE MODE"** parameter to **ON**.

#### Auto-Close After Obstruction

Three parameters are provided to enable the Auto-Close feature to be activated after obstructions and power up. Normally the Auto-Close feature is not enabled after obstructions for safety reasons. P.E beams must be used for these features to be activated.





Parameter	Min	Max	Default	Step	Unit	Menu No.
STD AUTO-CLOSE TIME Sets and enables the standard Auto-Close time	0.0	60.0	0.0	1.0	Sec	3
P.E AUTO-CLOSE TIME Sets and enables the P.E triggered Auto-Close time	0.0	60.0	0.0	1.0	Sec	3
PEDESTRIAN AUTO-CLOSE TIME Sets and enables the Pedestrian Auto-Close time	0.0	60.0	0.0	1.0	Sec	3
P.E PEDESTRIAN AUTO-CLOSE TIME Sets and enables the PE Pedestrian Auto-Close time	0.0	60.0	0.0	1.0	Sec	3
AUTO-CLOSE AFTER CLOSE OBSTRUCTION Enables Auto-Close feature after close obstructions	Off	On	Off			3
AUTO-CLOSE AFTER OPEN OBSTRUCTION Enables Auto-Close feature after open obstructions	Off	On	Off			3
AUTO-CLOSE AFTER POWER UP Enables Auto-Close feature power up	Off	On	Off			3

### PE Beams Triggered, Directional Auto-Close

This mode is selected by entering a non-zero time for the "P.E. Auto-Close" parameter. A second P.E Beam must be installed and connected to OPN input. Sub menu 5 : OPN I/P 2nd P.E in menu 7 Operating modes must be selected "ON" and also sub menu 4: OPN I/P N/C operation in menu 7 Operating modes must be selected "ON".

This mode is used to Auto-Close the door only after a vehicle has passed through the doorway to exit the premises . The 2nd PE (OPN) input must be active when the PE input is activated in order for a P.E triggered Auto-Close to be activated.

This mode is useful for fire brigade, ambulance stations etc.

## Wall Transmitter Installation

### Step 17.1 - Installing The Wall Mounted Transmitter (Optional)

- Remove the face plate from the transmitter.
- Affix the base plate at a height of 1.5 metres within sight of the door. Make sure that the position of the transmitter is out of reach of children and convenient to the customer (Fig. 64).
- Replace the face plate.
- To code the transmitter, refer to page 21.

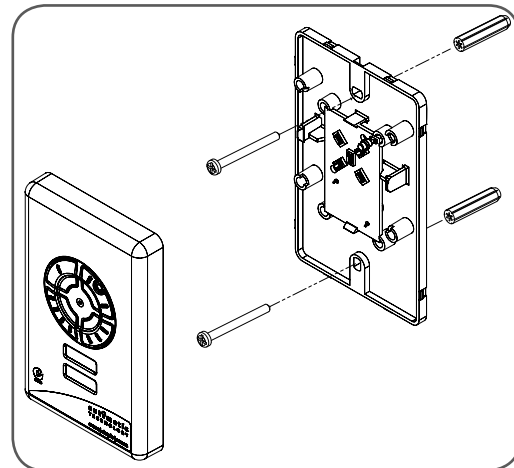


fig 64





# SmartSolar™ Installation

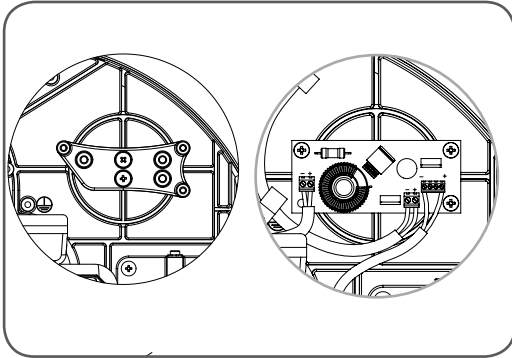


Fig 65

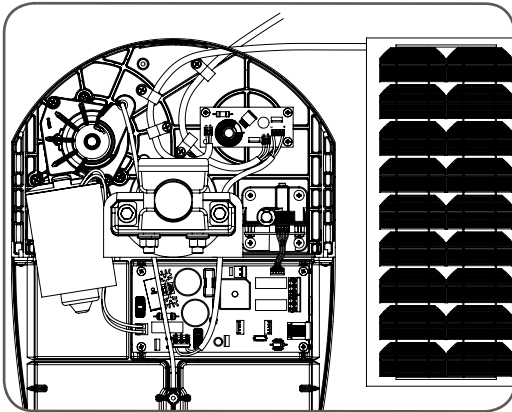


Fig 66

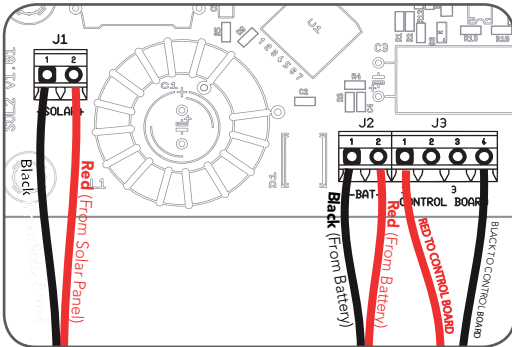


Fig 67

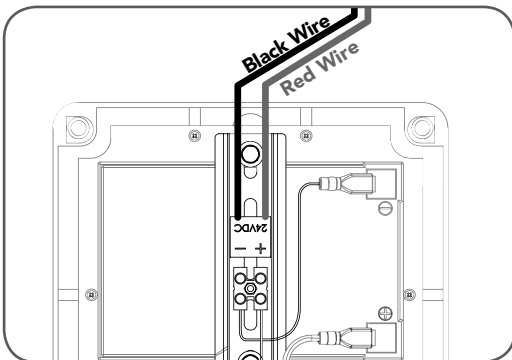


Fig 68



**Warning: Do not connect the batteries until after Step 18.2**

**30 Watt Solar Kit Part Number 60142 is suitable for GDO10-V2**

## Step 18.1 - Mount The Charger Board

1. Unplug the drive unit from mains power.
2. Disengage motor using manual release cord.
3. Remove the bottom cover by pressing in from sides and sliding downward.
4. Remove the two screws and slide the top cover upward to remove it.
5. Remove the transformer, EMC board and mains power cable.
6. Remove the two screws from the battery bracket then remove the batteries and harness
7. Fix the Charger Board Holder to where the transformer was removed from. Fix the charger onto the charger holder (**Fig. 65**)
8. Feed the two wire cable through the opening, then connect the red wire into solar + and black wire into solar - connector on the control board.
9. Move the shunt from "STBY BATT" to "SOLAR" on the control board in the power head.



**Warning: Do not connect battery or solar panel polarity incorrectly - this will result in serious damage to components. During Step 2, the opener will become active.**

## Step 18.2 - Connect The Solar Panel

1. Mount the solar panel as described in the SmartSolar™ Instruction Manual.
2. Feed the Solar Panel's cable through the black grommet on the chassis.
3. Connect the **red wire** to the Charger Board's "SOLAR+" connector, and the **black wire** to the "SOLAR-" connector.

## Step 18.3 - Mount & Connect The Battery

1. Mount the Battery Box close to the opener.
2. Feed the 2-core 18 awg gauge cable (supplied) through the Battery Box's grommet.
3. Connect the **red wire** to the Battery Box's "+" terminal, and the **black wire** to the "-" terminal (**Fig. 68**).
4. Feed the other end of the battery cable through the drive unit's black grommet.
5. Connect the **red wire** to the Charger Board's "BAT+" connector, and the **black wire** to the "BAT-" connector (**Fig. 67**).
6. Refit the timing cover, main cover and light diffuser.

## Step 18.4 - Re-Setup And Test The Opener

1. Setup travel limits and code transmitters as per the GDO10-V2 instruction manual.
2. Press either the OPEN/CLOSE button, or use a transmitter to operate the opener.





# Replacing Backup Batteries

## Step 19.1 Replacing Backup Batteries

1. Unplug the drive unit from mains power.
2. Disengage motor using manual release cord.
3. Remove the bottom cover by pressing in from sides and sliding downward.
4. Remove the two screws and slide upward the top cover upwards to remove it.
5. Remove the battery bracket by undoing the battery bracket screws.
6. Remove the batteries and replace with the same type (**Fig. 69**).

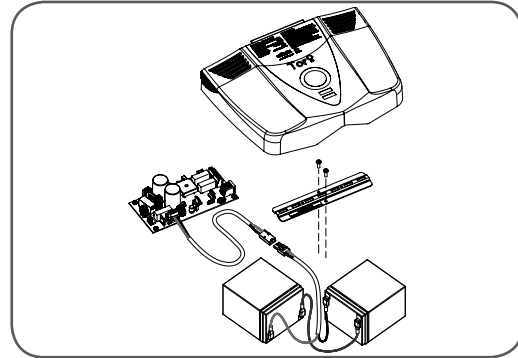


Fig 69





# Specifications

## Technical Specifications

Power supply	230V - 240Va.c. 50Hz	
Standby power	2.6 Watts	
Geared Motor power	150 Watts	
Motor type	24Vd.c. Permanent Magnet	
Maximum door opening:	Height: Width: Weight:	5500mm 5100mm 270kg
Opener Limits Travel	5.5 turns of Door Drum Wheel	
Maximum Rated Load	500N	
Nominal Load	150N	
Duty Cycle	25 Operations/hr	
Receiver type	UHF Multi-frequency FM Receiver	
Receiver code storage capacity	511 X 4 button Transmitter Codes	
Receiver Sensitivity	- 103 dB	
Transmitter frequency	UHF Multi-frequency FM Transmitter	
Coding type	Code hopping	
Number of code combinations	Over 4.29 billion random codes	
Code generation	Non-linear encryption algorithm	
Courtesy light	Relay Output	
Lock Output	Relay Output	
Controller fuse	10 A slow blow	
Transmitter Battery	CR - 2032 (3 Volts)	
Real Time Clock Battery	CR -1220 (1.5 Volts)	
Backup Battery	12 Volts 6 Amp Hr x 2	

### NOTE:

1. The door must be well balanced. A person should be able to lift the door up manually with very little effort in case of an emergency.
2. Intermittent operations may occur in areas which experience very strong winds. Strong wind puts extra pressure on the door and tracks which may in turn trigger the safety obstruction detection system intermittently.
3. If the PE Beams are not installed then the controller will automatically goes into "Safety Close" mode. Limited number of features are available in this mode please refer to page 30.





# Troubleshooting

Symptom	Possible cause	Remedy
Door will not operate	Mains power not switched on. Door is obstructed. Door is locked or motor jammed. Door tracks/hardware damaged. The stop function is activated The opener is in "Vacation Mode"	Switch on mains power. Remove obstruction. Unlock door or remove jam. Door requires service/repair by qualified technician. Deactivate the stop switch/timer Turn off "Vacation Mode".
Door starts to close but automatically reverses to open position	Adverse weather conditions (wind or cold) causing door to stiffen and become tight in the tracks. Possible obstruction in the doorway.	Increase force margin setting refer to page 19 or re-calculate force margin. Remove obstruction.
Door operates from wall control unit (OPEN/CLOSE) button but not from transmitter	Transmitter code not stored in memory. Flat battery	Code transmitter in to openers memory. Replace battery
Door does not close with transmitter	Safety Close Mode is on. PE Beams not installed or not working properly.	Turn the Safety Close Mode off Make sure PE Beams are operational.
Door will not close fully.	Door limits positions need to be reset.	Reset limits positions.
Door will not open fully.	Door limits positions need to be reset.	Reset limits positions.
Courtesy light not working	Globe blown.	Replace globe.
Auto-Close not working	PE Beam not installed. PE Beam or wiring faulty. PE Beam not aligned correctly. PE Beam is obstructed. Door obstructed when closing. Auto-Close time not set. Auto-Close mode not set	Install PE Beam. Repair PE Beam or replace wiring. Re-align optics. Remove obstruction from path of PE. Remove obstruction. Set Auto-Close times.





# Maintenance

## Maintenance

Whilst your opener does not require any periodic maintenance, the door that it is fitted to does. Your garage door is a large, heavy, moving object and should be tested regularly to ensure it is in good condition. A poorly maintained door could cause fatal or serious injuries or serious damage to property.

To ensure a long and trouble free life for your opener the following is recommended:

### Monthly

- Disengage the opener and manually operate the door: The door must be smooth to operate by hand. An operating force on the bottom rail should not exceed 150N (15 kg) force.
- Each month check that the opener reverses when the door contacts a 40 mm high object placed on the floor under the door (AS3350).

**NOTE:** If the door does not operate smoothly, call your garage door professional.

### Yearly

Automatic Technology suggests you contact your garage door professional to perform an annual door service.



**CAUTION: Frequently examine door, particularly cables, springs and mountings for signs of wear, damage or imbalance. Do not use if repair or adjustment is needed since a fault in the installation or an incorrectly balanced door may cause injury. (AS3350)**



**Adjustments should only be carried out by experienced persons, as this function can be dangerous if not performed under strict safety procedures.**



**Warning! Failure to maintain your garage door may void the warranty on your garage door opener.**

## Service Record

Record any maintenance in the following table to assist in any warranty service.

Date	Service by	Signature	Invoice No.	Amount



# Spare Parts



ITEM NO.	DESCRIPTION	ORDER CODE
1	DRIVE CHASSIS VR10	63016
2	INTERNAL GEAR AXLE VR10	63017
3	CLAMP WASHER	11160
4	RETAINING RING STW 45	10650
5	INTERNAL GEAR 92225 AY	63276
6	CLUTCH GEARED MOTOR ASSY CGMA-17	63278
7	HEX HEAD SCREW 5/16x1.0x1.0x1.0x1.0	63024
8	HEX HEAD SCREW 5/16x1.0x1.0x1.0x1.0	63025
9	TRIGGER BOARD EMC-3-02	63026
10	EMC FILTER BOARD EMC-3-02	63027
11	POWER CORD 1.5M W2P-1R	14150
12	CORD GRIP GROMMET SBGP-2	66806
13	TIMING ASSY ACS	61985
14	TIMING HARNES ASSY VR10	61797
15	WIRE EARTH ASSY 220L	12150
16	SUPPORT CHASSIS AY VR10-2	61616
17	CONTROL BOARD DCB06-1-02	20900
18	BATTERY 12V/6AH PSH-1256F2	15474
19	BATTERY HARNES	18670
20	SBT BATTERY HARNES	18680
21	BATTERY BRACKET 220L VR10	64940
22	LABEL BATTERY WARNING	13612
23	STRING HANDLE ASSY VR10	61763
24	TOP COVER V10	66052
25	BOTTOM COVER ASSY VR10-2	65059
26	MOUNTING BRACKET VR1	62504
27	HEX SERRATION HEAD SCREW M8x16	10122
28	TAPITTE SCREW P4 M4x12	10568
29	TAPITTE SCREW P4 M4x8	10380
30	PAN SERRATION HEAD SCREW M4x12	10380
31	HEX SCREW S1 M4x10	10394
32	HEX SCREW S1 M4x10	10394
33	INDUSTRIAL SADDLE	63172
34	SADDLE PLATE	63172
35	HEX HEAD SCREW M10x80	10054
36	FLAT WASHER LD 10	11010
37	HEX SERRATION FLANGE NUT M10	10149
38	CONTROL BOARD VR10	65054
39	CONTROL BOARD COIL CCW01-1-00	60753
40	CONTROL INNER COVER SP VR10	65055
41	MAIN COVER BK SP C01L	65071
42	TAPITTE SCREW P4 M4x10	10570
43	ACCESSORY PACK INTERNAL GEAR VR1	61445
44	ESB BATTERY HARNES	62014
45	ESB BATTERY HARNES KIT	62014
46	CABLE CATSE (UTP) NETWORK 5M	61908
47	GUIDE VR10 PACK	61480
48	COVER & DIS TAPE FOR S1 & S3 051169	71040
49	BEARING AXLE ASSY VR10	62906
50	BEARING COVER VR10	64970
51	PAN HEAD SCREW WWASHER M4x10	10340

fig 70



# Warranty

1. This warranty is an addition to any non-excludable conditions or warranties that are implied into this contract by relevant statute, including the Trade Practices Act 1974 (Cwth).
2. Subject to all of the matters set out below, Automatic Technology Australia Pty Ltd ("ATA") warrants:
  - (a) roll up door opener drive units for twenty four (24) months or 5000 cycles, whichever occurs first; and
  - (b) all components and accessories for twelve (12) months, from the date of purchase (specified in the sales docket receipt) as free of any defects in material and workmanship.
  - (c) no further warranty will apply for goods repaired in the warranty period.
  - (d) for all products repaired outside the warranty period, a six (6) month warranty applies from the date of dispatch.
3. This warranty applies only where the purchaser:
  - (a) immediately notifies ATA or the retailer of the alleged defect;
  - (b) returns the product to the retailer; and
  - (c) presents the relevant sales docket and this warranty document to the retailer to confirm the date of purchase.
4. Except for this warranty, ATA gives no warranties of any kind whatsoever (whether express or implied), in relation to the product, and all warranties of whatsoever kind relating to the product are, to the extent permissible by statute, hereby excluded.
5. To the extent permissible by statute, ATA disclaims any liability of whatsoever nature in respect of any claim or demand for loss or damage which arises out of:
  - (a) accidental damage to or normal wear and tear to the product or to the product's components;
  - (b) any cost relating to damage resulting from wear and tear;
  - (c) blown fuses, loss or damage caused by electrical surges, power surges or power spikes;
  - (d) loss or damage due to theft, fire, flood, rain, water, lightning, storms or any other acts of God;
  - (e) maximum operating force exceeding \*15kg (150N) when moving the door manually to the open or closed position;
  - (f) door surface area and/or weight exceeding 28m<sup>2</sup> and 270kg respectively;
  - (g) door not in safe and correct working order and condition;
  - (h) evidence of unauthorised repairs;
  - (i) any cost relating to damage caused by misuse, negligence or failure to maintain the equipment in a proper working order as per clauses (d) through (h);
  - (j) installation, adjustment or use which is not in accordance with the instructions set out in installation instruction manual
  - (k) attempted or complete modification or repairs to the product carried out by a person who is not authorised or has not been trained by ATA to carry out such modification or repairs;
  - (l) faulty or unsuitable wiring of structure to which the product is fixed or connected;
  - (m) radio (including citizen band transmission) or any electrical interference;
  - (n) damage caused by insects;
  - (o) loss or damage to any property whatsoever or any loss or expense whatsoever resulting or arising there from or any consequential loss;
  - (p) any cost or expense arising due to manufacturer recall of any product;
  - (q) any cost or expense due to negligence of the approved service provider;
  - (r) installation of a residential garage door opener in a commercial or industrial situation or a non-single residential dwelling.
6. ATA's liability under this warranty is limited, at ATA's absolute option, to replacing or repairing the product which ATA, in its unfettered opinion, considers to be defective either in material and/or workmanship or to credit the dealer with the price at which the product was purchased by the dealer.
7. This warranty does not extend to cover labour for installation.
8. This warranty is limited to Return-to-Base (RTB) repair and does not cover labour for on-site attendance.
9. This warranty is void if the Product is not returned to the manufacturer in original or suitably secure packaging.
10. This warranty is only applicable for repairs to the product carried out within Australia.
11. This warranty does not cover consumable items including globes, batteries and fuses.
12. This warranty is not transferable.
13. Where the Product is retailed by any person other than ATA, except for the warranty set out above, such person has no authority from ATA to give any warranty or guarantee on ATA's behalf in addition to the warranty set out above.

## NOTES:

1. One (1) cycle = one (1) open and one (1) close action of the door.
2. This warranty is to be read in conjunction with the owner's copy of the installation instruction manual.
- 3 \*The door should be balanced in such a way that the user manually is able to open or close the door without using force not greater than 150N (15kg) although a greater force may be required for the start of the movement.







© Dec 2010 Automatic Technology (Australia) Pty Ltd. All rights reserved. TrioCode™ , Toro™ ,EasyBeam™ and SmartSolar™ are trademarks of Automatic Technology (Australia) Pty Ltd. No part of this document may be reproduced without prior permission. In an ongoing commitment to product quality we reserve the right to change specification without notice. E&OE.

automatic  
TECHNOLOGY

smart | simple | secure

an alesco company

**Automatic Technology (Australia) Pty Ltd**

ABN 11 007 125 368

6-8 Fiveways Boulevard  
Keysborough, Victoria, 3173, Australia

P 1300 133 944

+61 3 9791 0200 (International Enquiries Only)

E [sales@ata-aust.com.au](mailto:sales@ata-aust.com.au)

[www.ata-aust.com.au](http://www.ata-aust.com.au)