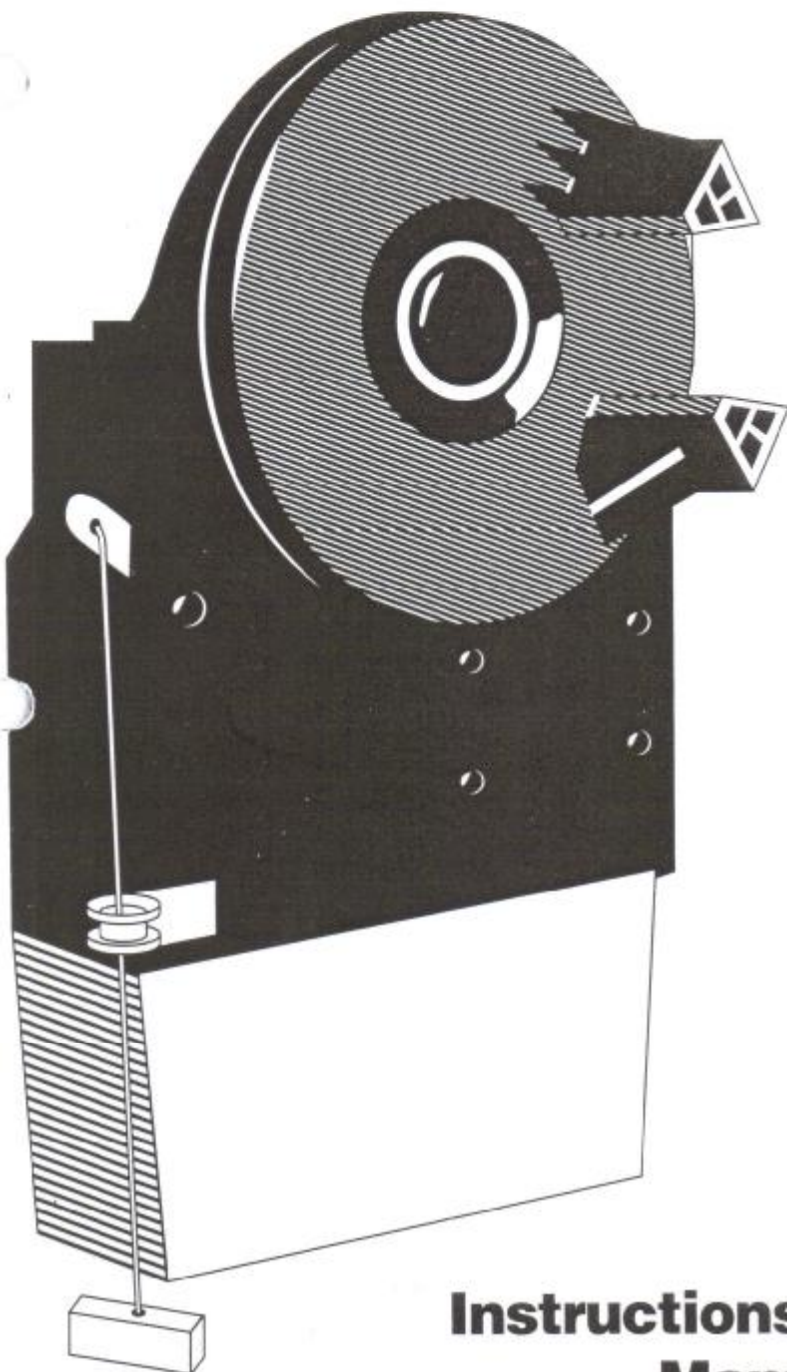


GDO4
Automatic Technology Australia Pty Ltd

EasyRoller GARAGE DOOR OPENER



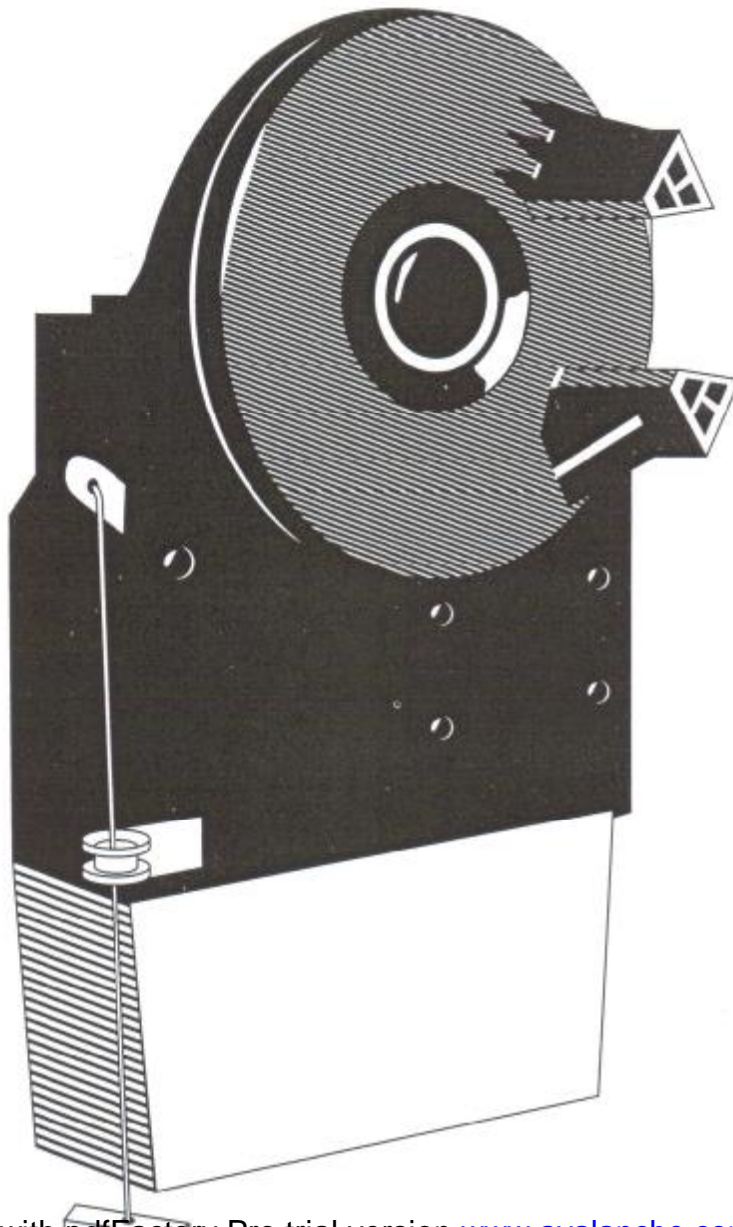
**Installation
Instructions and Owners
Manual for GDO-4**



Automatic
Technology
Australia

Contents

	PAGE
USER SAFETY INFORMATION	1
FEATURES	1
OPERATING CONTROLS	2
PACKAGE CONTENTS	4
SEQUENCE OF INSTALLATION	4
INSTALLATION	5
FAULTS AND REMEDIES	11
PARTS LIST	12
TECHNICAL SPECIFICATIONS	13
OPTIONS AND ACCESSORIES	13
WARRANTY AND EXCLUSION OF LIABILITY	14



User Safety Information

PLEASE READ THESE IMPORTANT SAFETY RULES

Garage door must be well balanced. Sticking or binding doors must be repaired by a qualified garage door installer prior to operator installation. Do not attempt to repair door yourself as hardware is under extreme tension and can cause serious personal injury and/or property damage.

Remove or disengage all garage door locks prior to installation of operator.

Connect the operator to a properly grounded general purpose 240V outlet installed by a qualified electrical contractor.

Make sure that the reversing sensitivity is adjusted correctly on installation so that the door reverses to the open position when obstructed. Failure to adjust this setting properly could result in serious personal injury and/or property damage. This test must be repeated at regular intervals and the necessary adjustments made if required.



Install the wall switch in a location/position where the garage door is visible and out of reach of children.



Only operate the garage door opener when the garage door is in full view and free from obstructions.



Do not allow children to operate the garage door opener.



Serious personal injury and/or property damage can result from failure to follow this warning.



Do not operate the garage door opener when children/persons are near the door. Children must be supervised near garage door at all times and when door operator is in use. Serious personal injury and/or property damage can result from failure to follow this warning.



Disconnect power cord from mains power before making any repairs or removing covers. Only qualified service personnel can remove covers from opener.



Keep hands and any loose clothing clear of door and door opener at all times.



Do not disengage the door opener to manual operation with children/persons or any other objects including motor vehicles within the doorway.



When using auto close mode a photo electric beam must be fitted correctly and tested for operation at regular intervals. Extreme caution is recommended when using auto close mode. All safety rules above must be followed.



Automatic Technology Australia Pty. Ltd. to the extent that such may be lawfully excluded hereby expressly disclaims all conditions or warranties statutory or otherwise which may be implied by law as conditions or warranties of purchase of an Automatic Technology Australia Roll-Up-Door Opener and Automatic Technology Australia Pty. Ltd. hereby further expressly excludes all or any liability for any injury, damage, cost, expense or claim whatsoever suffered by any person as a result whether directly or indirectly from failure to install the ATA Easy Roller Roll-Up-Door in accordance with these installation instructions.

Features

Your EasyRoller Automatic Garage Door Opener has many features which you will appreciate. The Components and Materials used in this Automatic Opener are of the latest Technology and highest quality. Below are listed some of the features.

OPERATION

To operate the door simply press the hand held transmitter or the wall mounted switch for two seconds and the door will automatically open or close. The door can be stopped during an opening or closing cycle by pressing the wall switch or handheld transmitter. The next actuation will move the door in the opposite direction.

SAFETY OBSTRUCTION REVERSE

While the door is doing a closing cycle and it should hit an obstacle or be restricted in some manner, it will automatically reverse. The amount of force the door should encounter before reversing is adjustable. The door also if

stop. The Safety Obstruction Forces should be checked at least once a month.

AUTOMATIC COURTESY LIGHT

The Courtesy Light on the Opener comes on automatically whenever the door is activated to do an opening or closing cycle. The light will stay on for approximately three minutes then turns off automatically. The Light can also be switched on and off without operating the door. This is done by pressing the Light button on the Wall Switch. The Light turns off after three minutes.

MANUAL OPERATION

The Opener is equipped with a unique Manual Disengaging Device. If the power to the Opener is disrupted for any reason the door can be put into Manual Mode by pulling down on the string handle, then releasing. This will allow you to manually open or close the door. When power is restored, by pulling down on the string handle and releasing, the Opener is put back

SECURITY CODE STORE

The Opener uses state of the art technology in storing your selected Transmitter Security Code. Up to sixty different codes can be stored in the non volatile memory device. To store any code simply press and hold the Code Store button on the Opener and press the Transmitter button twice. Each or all codes can be deleted and changed at any time. Security is enhanced because there are no Dip switches on the Opener which can be visually seen and copied.

CAS (COLOUR ASSISTED SETTINGS)

To make the installation of the Automatic Opener more user friendly Automatic Technology Australia developed the CAS (Colour Assisted Settings) System. This unique system allows for all the Open and Close adjustments and settings to be colour coordinated, Red for Close and Green for Open. The colour coordination makes it easier and quicker for the user or installer to

Features cont...

OPEN AND CLOSE DRIVE BUTTONS

Another feature developed by Automatic Technology Australia in aiding in the installation of the Opener are the Open and Close Drive Buttons. These buttons are used to help set the open and close limit positions. The quicker setting time and a more precise

limit position can be achieved using this system.

AUTO CLOSE MODE

The Opener can be programmed to automatically close approximately thirty seconds after the door has opened. A Photo Electric Beam must be installed if this mode is selected.

AUTO RUN TIME

If the Motor is left running in the Opener for any reason the Auto Run Time will turn the motor off after thirty seconds.

PHOTO ELECTRIC BEAM

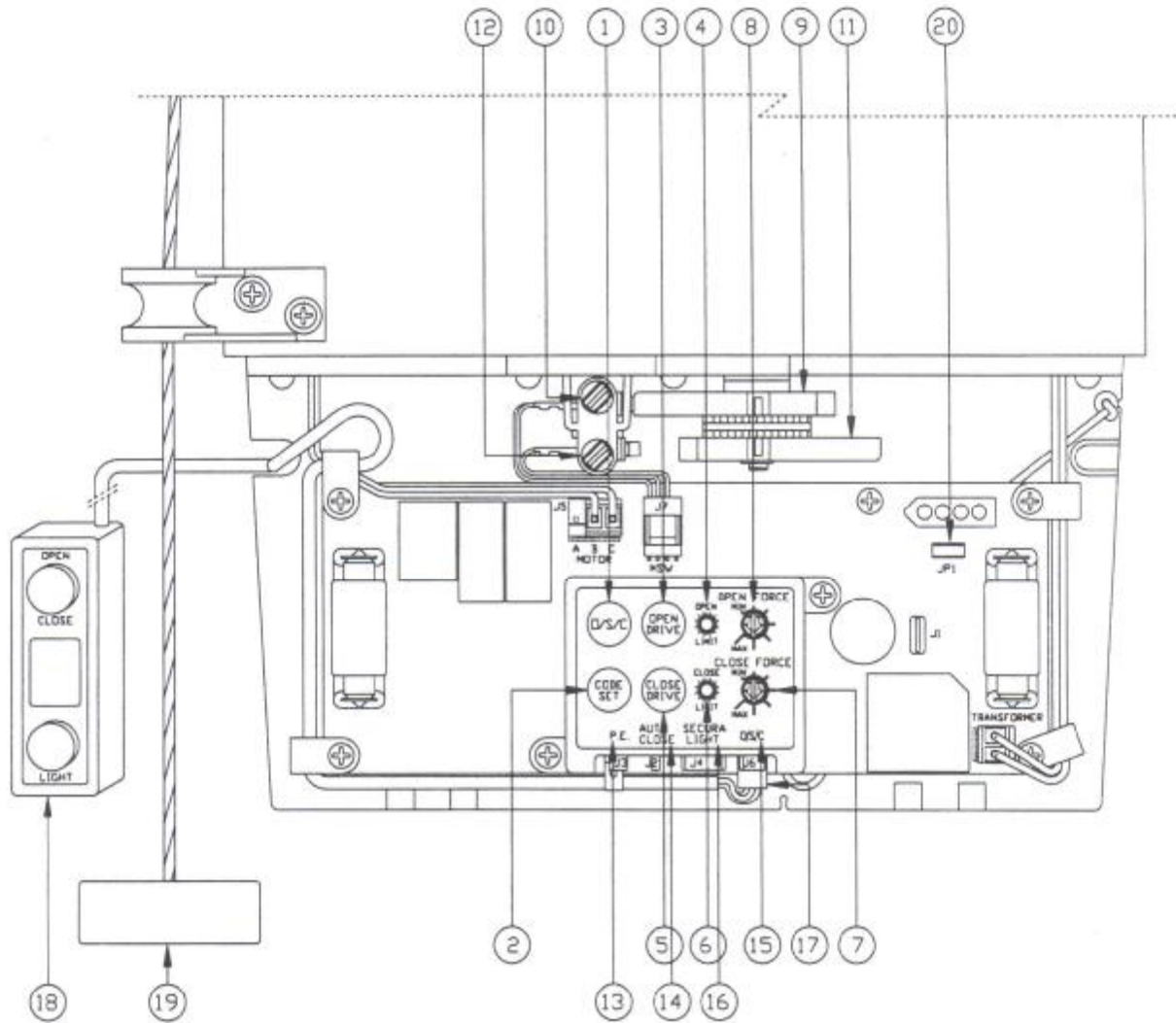
The Opener has an input for a Photo Electric Beam to be connected for extra safety protection.

Operating Controls

- O/S/C Button** (yellow) is used during installation to test the open, close and stop commands to the Opener. Pressing this button will open, close or stop the door.
- CODE SET Button** (blue) is used for storing or erasing your selected security code from your transmitter(s) into the Opener's memory device.
- OPEN DRIVE Button** (green) is used during installation to help set the open limit stop position. Pressing and holding this button will move the door in the open direction. Movement stops when the button is released or when the open limit switch is activated. **NOTE:** The open obstruction detection is inoperable whenever the Open Drive button is used to move door.
- OPEN LIMIT Led** (green) illuminates whenever the open limit switch is activated. The led is very helpful during installation.
- CLOSE DRIVE Button** (red) is used during installation to help set the close limit stop position. Pressing and holding this button will move the door in the close direction. Movement stops when the button is released or when the close limit switch is activated. **NOTE:** The close safety obstruction detection is inoperable whenever the Close Drive button is used to move door.
- CLOSE LIMIT Led** (red) illuminates whenever the close limit switch is activated. The led is very helpful during installation.
- OPEN FORCE ADJUSTMENT Shaft** (green) is for adjusting the open obstruction force. Turning the shaft in a clockwise direction increases the force that is required to restrict the door before it stops when opening. Turning anticlockwise will decrease the force that is required to stop the door.
- CLOSE FORCE ADJUSTMENT Shaft** (red) is for adjusting the close safety obstruction force. Turning the shaft in a clockwise direction increases the force that is required to restrict the door before it reverses when closing. Turning anticlockwise will decrease the force that is required to reverse the door. **NOTE:** The open and close safety obstruction forces need to be tested at regular intervals (once a month) and the necessary adjustments made.
- OPEN LIMIT CAM** (green) is used to set the open limit stop position. Check Installation section on how to adjust.
- OPEN LIMIT ADJUSTMENT SCREW** (green) is used to fine adjust the open limit stop position. Check Installation section on how to adjust.
- CLOSE LIMIT CAM** (red) is used to set the close limit stop position. Check Installation section on how to adjust.
- CLOSE LIMIT ADJUSTMENT SCREW** (red) is used to fine adjust the close limit stop position. Check Installation section on how to adjust.
- P.E. Input** is for connection of Photo Electric Beams (optional extra) for extra safety obstruction protection. The P.E. shunt must be removed when a P.E. is connected.
- P.E. SHUNT** must not be removed otherwise the Opener will not function correctly. Remove only when a P.E. is to be connected.
- AUTO CLOSE (J2) Input** is used for selecting the auto close mode. If auto close is selected the door will automatically close approximately 30 seconds after opening. To select, remove shunt from P.E. input connector and place on auto close connector pins. **NOTE:** a P.E. Beam must be used when auto close is selected.
- SECURALIGHT Input** is used for connecting a Securalight (optional extra) Monitor. A Securalight is a monitor unit which is mounted inside your home and is connected to the Opener by wire cable. The monitor indicates the status of the door, for example if the door is moving, is opened or closed, etc. An audible beeper sounds whenever the door is moved by the Opener. The door can also be controlled from the monitor unit.
- O/S/C Input** is for connecting the Wall Switch.
- WALL SWITCH** is usually mounted inside the garage. Pressing the Open / Close button on the wall switch will open, close or stop the door. Pressing the Light button will turn the light in the Opener on or off. If the light comes on and you do not press to turn off, the light will turn off automatically after about 3 minutes.
- ENGAGE/DISENGAGE HANDLE** when pulled down and released will select manual mode when there is a power failure. Pulling down and releasing again will select automatic mode.
- STANDBY BATTERY SHUNT** must be removed when using Battery Back Up Option.

Operating Controls

OPERATING CONTROLS

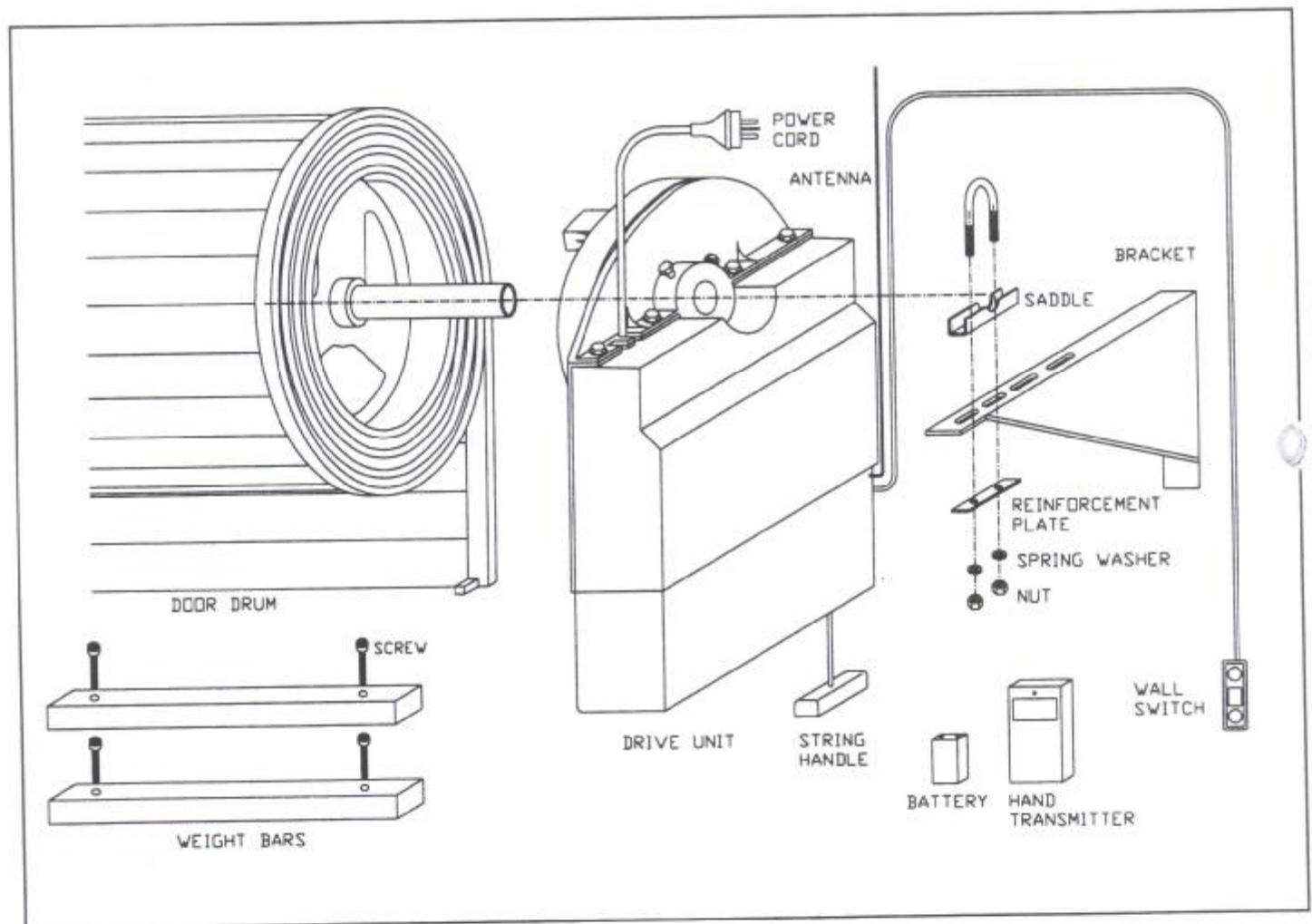


1. O/S/C button
2. Code set button
3. Open drive button
4. Open limit LED
5. Close drive button
6. Close limit LED
7. Open force adjustment shaft (green)
8. Close force adjustment shaft (red)
9. Open limit cam (green)
10. Open limit adjustment screw (green)
11. Close limit cam (red)
12. Close limit adjustment screw (red)
13. P.E. input
14. P.E. shunt
15. Auto close input
16. Securalight inout
17. O/S/C input
18. Wall switch
19. Engage/disengage handle
20. Battery shunt

Package Contents

ITEM	QUANTITY
DRIVE UNIT	1
HAND TRANSMITTER	1
WALL SWITCH (WITH WIRE)	1
BATTERY (9VOLTS)	1
WEIGHT BARS (NOT INCLUDED IN SOME COUNTRIES)	2
SELF TAPPING SCREWS (M4 X 25mm)	4
INSTALLATION MANUAL	1

Sequence of Installation



Installation

SIDE ROOM REQUIREMENTS

Figure 1 shows the minimum side room that is required. The distance between the edge of the door curtain and the inside of the bracket is 85mm and the distance between the edge of the door and the outside of bracket is 135mm.

Figure 2 shows the recommended side room. The distance between the edge of the door curtain and the inside of the bracket should be 110mm minimum and the distance between the edge of the door and the outside of bracket should be 160mm minimum.

1. CHECK OPERATION OF DOOR

BEFORE BEGINNING THE INSTALLATION OF THE EASY ROLLER AUTOMATIC OPENER CHECK THE OPERATION OF THE DOOR.

The door must be well balanced and be in a reasonable operating condition. The door should not stick or bind in the guide tracks. The ideal operational effort in raising or lowering the door should not exceed a force of 15 kgs (33 lbs.). The maximum effort should not exceed a force of 25 kgs (55 lbs.).

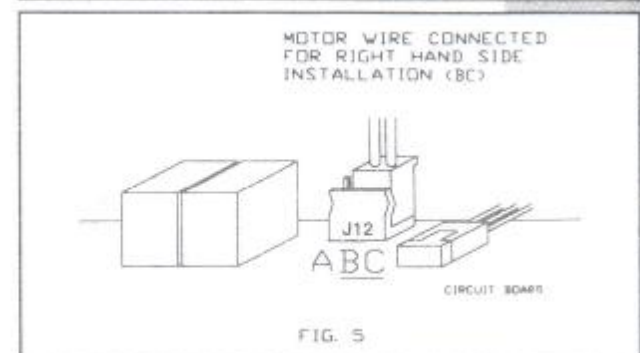
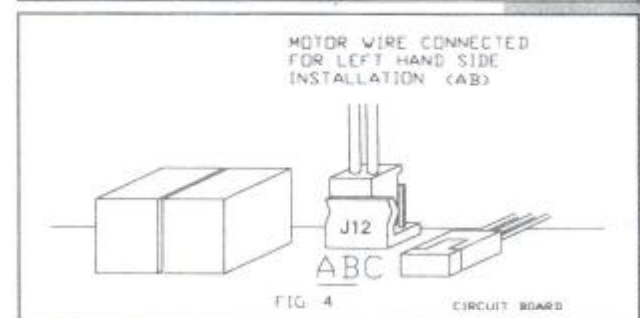
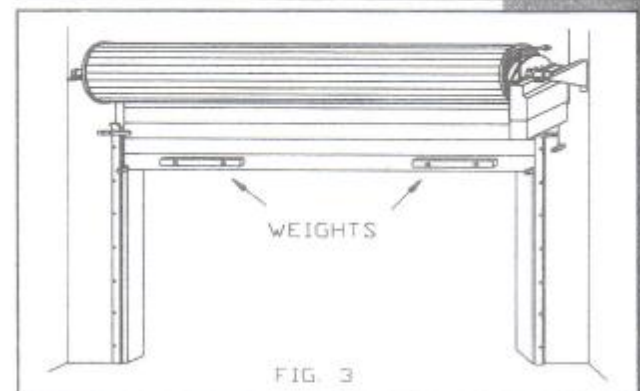
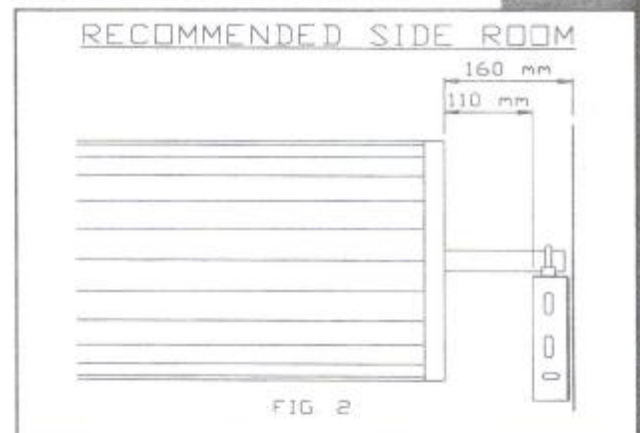
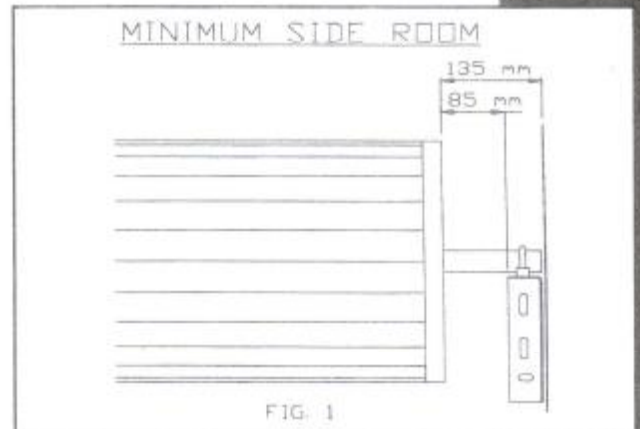
2. FIXING OF DOOR WEIGHT BARS

Move the door manually to mid open position. Place the weight bars equally apart on the bottom rail of the door and secure them with the fasteners provided (see Fig. 3). Check the operation of the door again. If the door feels heavy it may require extra tension to be added to the door springs. Refer to the Door Installation Manual from the manufacturer on how to tension the door.

3. LEFT OR RIGHT HAND INSTALLATION

The Easy Roller Automatic Opener can be installed on the left or right hand side of the door (when looking out from the inside of the garage). If your opener is to be installed on the **RIGHT HAND** side of the door then **go on to Step 4**. If the left hand side is your selected side for installation the next step is to move the motor wire connector (labelled **J12** on the control board). The connector has to be removed and reconnected to the **LEFT** side of **J12** which is marked **A:B** (see Fig. 4).

If you have made an error in selection and wish to install to the **RIGHT AND** side of the door then reconnect the connector to the **RIGHT** side of **J12** marked **B:C** (see Fig. 5).



Installation cont...

4. FIXING DRIVE ASSEMBLY TO DOOR

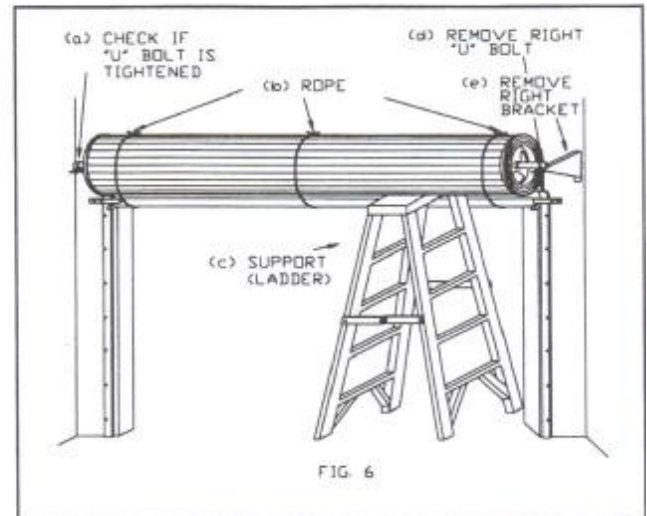
The Easy Roller Drive Assembly can be fixed to the Roll Up Garage Door in a variety of ways. Below we will describe one method of fixing. Make sure there is enough room (135mm from end of door shaft to the wall) to slide drive assembly onto shaft.

PLEASE NOTE: THE INSTRUCTIONS FOR FIXING OF THE DRIVE ASSEMBLY TO THE DOOR IS FOR RIGHT HAND INSTALLATION.

FITTING DRIVE ASSEMBLY TO DOOR

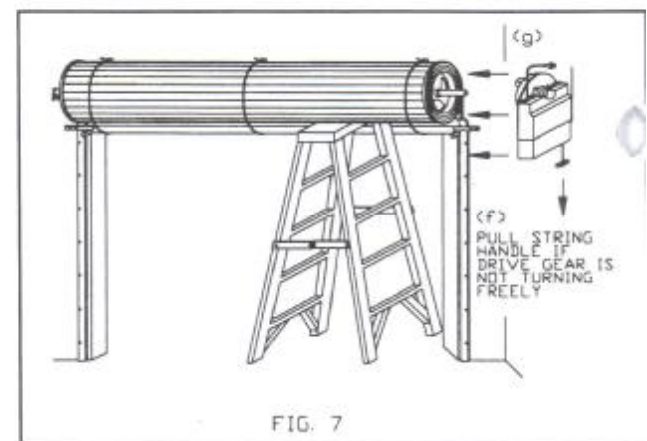
(see Fig. 6, Fig. 7, and Fig. 8).

- (a) Check that the door shaft U bolt is securely tightened on the left hand side of the door.
- (b) Raise the door and tie a rope around the centre to secure the roll.
- (c) Support the right hand end of the door with a suitable prop, e.g. step ladder and soft padding to protect door surface.



STOP WARNING: DO NOT ALLOW CHILDREN/PERSONS AROUND THE DOOR WHEN PROPPED. SERIOUS PERSONAL INJURY AND / OR PROPERTY DAMAGE CAN RESULT FROM FAILURE TO FOLLOW THIS WARNING.

- (d) Check that step 3.1a was completed. Carefully loosen and remove the right hand door shaft U bolt.
- (e) Make sure that the door supporting prop is secure. While the door is supported remove the right hand door mounting bracket from wall.
- (f) Remove the Drive Assembly from packaging. Try and rotate the drive gear by pushing on the fork. If the gear does not rotate the manual mode has to be selected. To select pull on the string handle downwards, then release slowly. The drive gear should now rotate.
- (g) Slide Drive Assembly over the door axle making sure that the fork extends into and over one of the spokes of the door drum wheel.
- (h) Refit the door mounting bracket to the wall. In some cases the bracket may have to be repositioned. Retighten the door shaft U bolt. Remove door supporting prop and untie rope from curtain.
- (i) Straighten the Drive Assembly and position as per figure 8. Tighten the two locking bolts firmly to secure Drive Assembly.
- (j) Check the manual operation of the door by raising and lowering the door. The door should run smoothly and not catch on any part of the Drive Assembly.

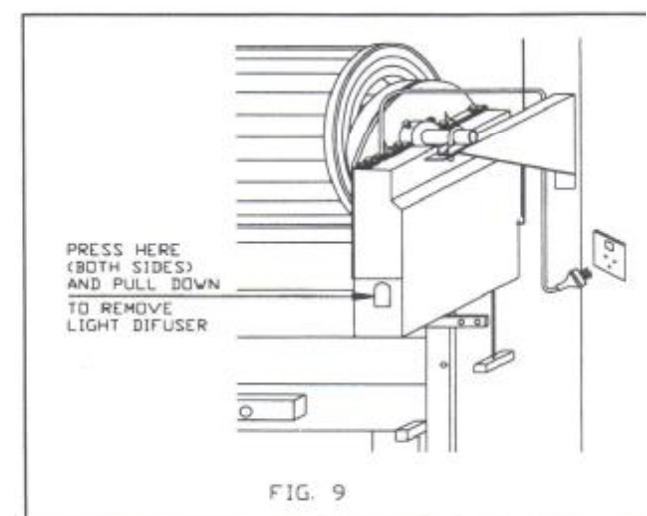
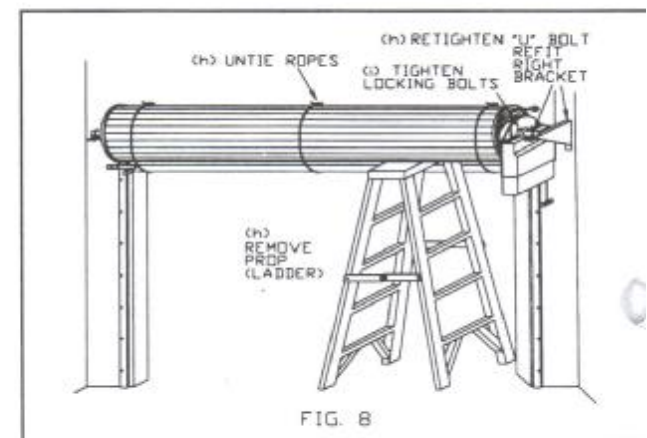


5. SETTING LIMIT SWITCHES

The Limit Cams, Limit Fine Adjustment Screws and Door Inch Buttons are colour coded to make the setting of the limits as user friendly as possible. The GREEN colours for OPEN LIMIT SETTING. The RED colours for CLOSE LIMIT SETTING.

5.1 SETTING LIMITS FOR RIGHT HAND INSTALLATION

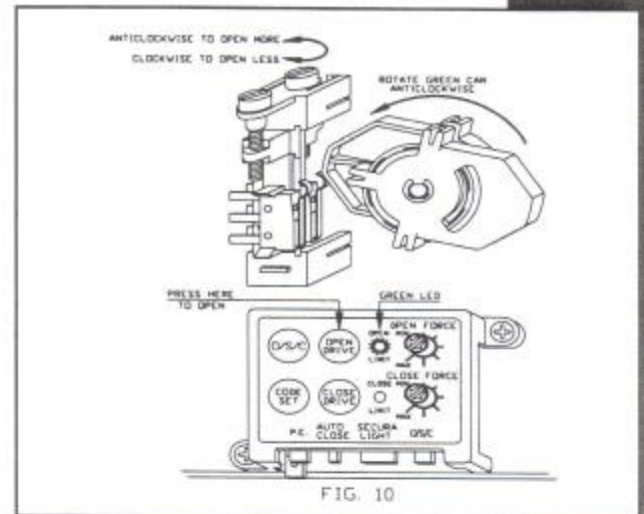
- (a) With the Drive Assembly in manual mode (disengage, see Fig. 12), move the door up by hand to the desired open position.
- (b) Remove the Light Diffuser (see Fig. 9). Rotate by hand in an anticlockwise direction the green limit cam (see Fig. 10) until the cam clicks the open limit switch.
- (c) Move the door down by hand to the desired closed position.
- (d) Rotate by hand in a clockwise direction the red limit cam (see fig. 11) until the cam clicks the close limit switch.
- (e) Connect power lead from the Drive Assembly into a general purpose power outlet installed by a licensed qualified electrical contractor. Turn the Power On.
- (f) Re-engage the drive gear by pulling down on the string handle and then releasing slowly (see Fig. 12)



OPEN LIMIT ADJUSTMENT

- (g) Press in and hold the Green Open Inch Button. The door should start opening. Release the inch button when the door reaches the desired open position. If the Green LED (see Fig. 10) is illuminated and the desired limit position has been reached then the limit adjustment is complete. If the Green LED is illuminated but the door has not reached, or has gone past the desired position, you have to adjust the Green Fine Adjustment Screw (see Fig. 10). Adjust the screw anticlockwise to open the door more. To open the door less adjust the screw clockwise. Each complete revolution of the adjustment screw is equal to approximately 10mm of door travel.

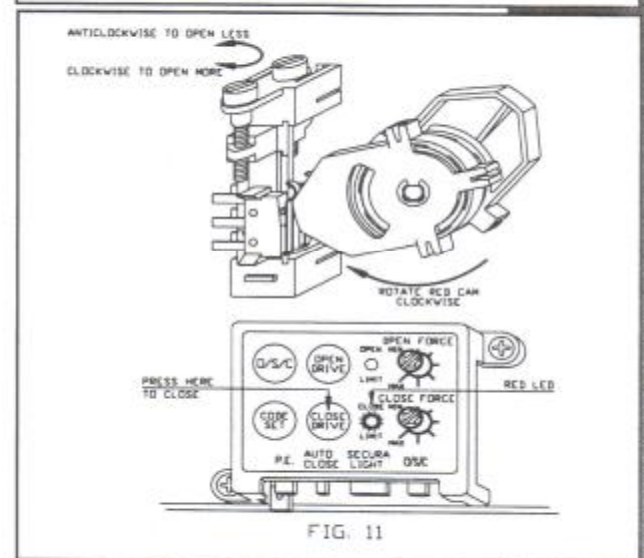
NOTE: If the door has not reached the desired limit position by more than 30mm, it is recommended that the green limits cam be adjusted again before the green fine adjustment screw is adjusted.



CLOSE LIMIT ADJUSTMENT

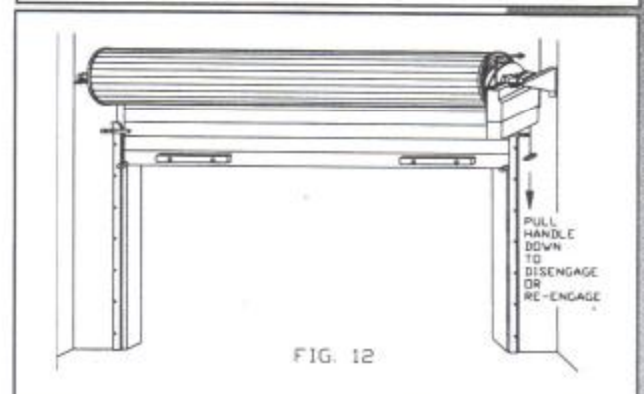
- (h) Press in and hold the Red Close Inch Button. The door should start closing. Release the inch button when the door reaches the desired closed position. If the Red LED (see Fig. 11) is illuminated and the desired position has been reached then the limit adjustment is complete. If the Red LED is illuminated but the door has not reached, or has gone past the desired position, you have to adjust the Red Fine Adjustment Screw (see Fig. 11). Adjust the screw anticlockwise to close the door less. To open the door more adjust the screw clockwise. Each complete revolution of the adjustment screw is equal to approximately 10mm of door travel.

NOTE: if the door has not reached the desired limit position by more than 30mm, then it is recommended that the red limits cam be adjusted again before the red fine adjustment screw is adjusted.



5.2 SETTING LIMITS FOR LEFT HAND INSTALLATION

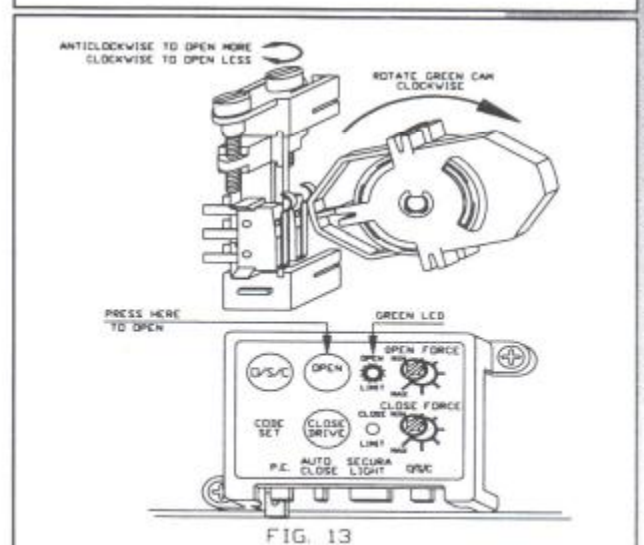
- (a) With the Drive Assembly in manual mode, move the door up by hand to the desired open position.
- (b) Remove the Light Diffuser (see Fig. 9). Rotate by hand in a clockwise direction the Green Limit Cam (see Fig. 13) until the cam clicks the open limit switch.
- (c) Move the door down by hand to the desired closed position.
- (d) Rotate by hand in an anticlockwise direction the red limit cam (see Fig. 14) until the cam clicks the close limit switch.
- (e) Connect Power Lead from the Drive Assembly into a general purpose power outlet installed by a licensed qualified electrical contractor. Make sure that the Power Lead is safely fastened away from any moving parts. Turn the Power On.
- (f) Re-engage the drive gear to door by pulling down on the string handle and then releasing slowly (see Fig. 12).



OPEN LIMIT ADJUSTMENT

- (g) Press in and hold the Green Open Inch Button. The door should start opening. Release the inch button when the door reaches the desired open limit stop position. If the Green LED (see Fig. 13) is illuminated and the desired limit stop position has been reached then the limit adjustment is complete. If the Green LED is illuminated but the door has not reached the desired position, you have to adjust the Green Fine Adjustment Screw (see Fig. 13). To open the door more, adjust the screw anticlockwise. To open the door less adjust the screw clockwise. Each complete revolution of the adjustment screw is equal to approximately 10mm of door travel.

NOTE: If the door has not reached the desired limit position by more than 30mm, it is recommended that the green limits cam be adjusted again before the green fine adjustment screw is adjusted.



Installation cont...

CLOSE LIMIT ADJUSTMENT

- (h) Press in and hold the Red Close Inch Button. The door should start closing. Release the inch button when the door reaches the desired closed limit stop position. If the Red LED (see Fig. 14) is illuminated and the desired limit position has been reached then the limit adjustment is complete. If the Red LED is illuminated but the door has not reached, or has gone past the desired position, you have to adjust the Red Fine Adjustment Screw (see Fig. 14). Adjust the screw clockwise to close the door less. To close the door more adjust the screw anticlockwise. Each complete revolution of the adjustment screw is equal to approximately 10mm of door travel.

NOTE: If the door has not reached the desired limit position by more than 30mm, then it is recommended that the red limits can be adjusted again before the red fine adjustment screw is adjusted.

6. FIXING OF DOOR CURTAIN TO DRUM WHEEL

The Door Curtain has to be secured to the drum wheel with suitable fasteners.

- (a) With the door in the fully closed position mark the curtain (as per Fig. 15) on both ends of the door.
- (b) Open door slightly to have access to the marked positions. Secure the curtain to drum wheel using self drilling screws (two on each end). The screws should be at least 90 degrees apart as per Fig. 15.

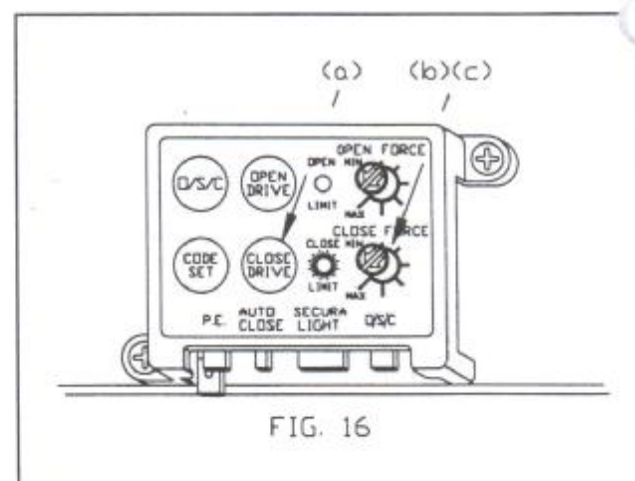
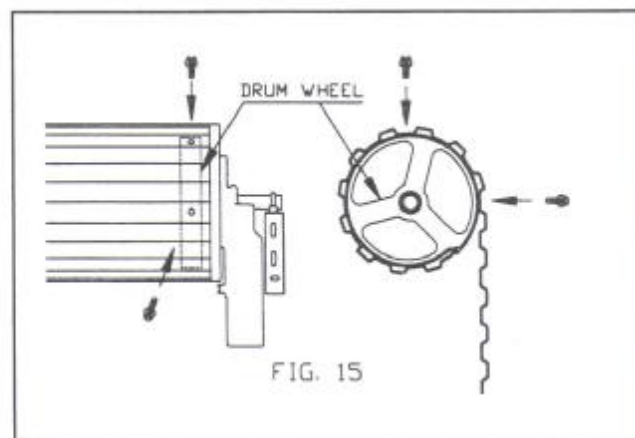
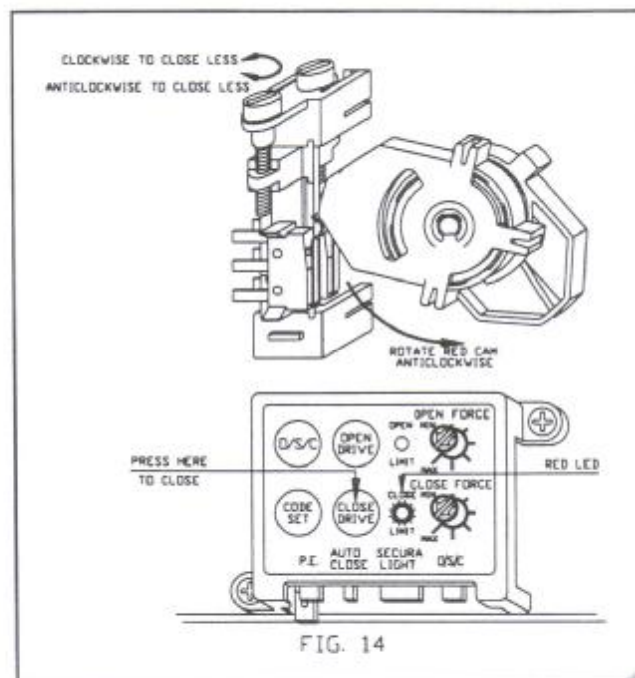
7. SETTING OF CLOSE SAFETY OBSTRUCTION AND OPEN FORCE

Important: The setting for the open and close obstruction forces are the most important adjustments that are made in the whole installation procedure. Make sure that the force (load) is adjusted correctly as per the installation instructions. Failure to adjust these settings correctly could result in serious personal and /or property damage. The end user must be informed that they must test at regular intervals (once a month is recommended) these settings and the necessary adjustments made if required.

Note: The Open and Close Obstruction Force adjustments procedure are the same for Left or Right Hand installation.

7.1 CLOSE SAFETY OBSTRUCTION FORCE ADJUSTMENT

- (a) Fully open the door by pressing in and holding the green inch button. The door will stop automatically when the open limit position is reached.
- (b) Turn the Red Close Force Shaft fully clockwise. Press the Yellow O/S/C (open, stop,close) button (see Fig. 16) momentarily, the door should start closing. As the door is closing turn the Red Shaft slowly anticlockwise until the door stops momentarily then reverses to the open position.
- (c) Turn the Red Shaft 10° clockwise. Press the Yellow button to close the door. If the door reverses by itself, readjust the Red Shaft a further 5° clockwise. Keep adjusting in this manner until the door can complete the full closing cycle.



7.2 OPEN OBSTRUCTION FORCE ADJUSTMENT

- Fully close the door by pressing in and holding the green inch button. The door will stop automatically when the closed limit position is reached.
- Turn the Green Close Force Shaft fully clockwise. Press the Yellow O/S/C (open, stop, close) button (see Fig.17) momentarily, the door should start opening. As the door is opening turn the Green Shaft slowly anticlockwise until the door stops.
- Turn the Green Shaft 10° clockwise. Press the Yellow button to open the door. If the door stops by itself, readjust the Green Shaft a further 5° clockwise. Keep adjusting in this manner until the door can complete the full opening cycle.

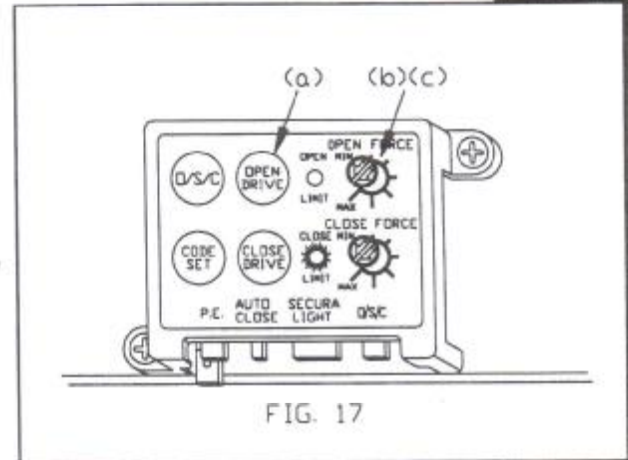


FIG. 17

7.3 CLOSE SAFETY OBSTRUCTION TEST

The door now has to be tested for response to an obstruction while it is opening and closing. With the door in the opened position, place a solid object approximately 1 metre in height under the door (see Fig. 18). Press the Yellow button to close the door. When the door reaches and pushes on the object it should pause then reverse up to the open position. Repeat the above and observe the action of the door as it pushes against the solid object. Undue load should not be applied to the door. The load imposed by the door should be around 8 to 10kg. The load can be tested by placing a bathroom scale on the floor under the door, start a close cycle and read the scale as the door pushes down against the scale. If the reading is too high, readjust the Red Close Force Shaft. Turning shaft clockwise increases the load applied to the door. Turning shaft anticlockwise decreases the load applied to the door.

IMPORTANT: IF THE DOOR IS UNABLE TO REVERSE WHEN OBSTRUCTED DISCONTINUE USE. SELECT MANUAL MODE AND CONTACT AUTOMATIC TECHNOLOGY AUSTRALIA PTY LTD.

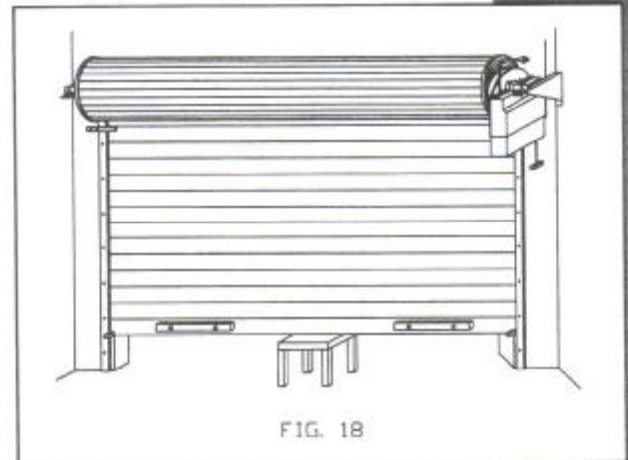


FIG. 18

8. SETTING OF TRANSMITTER AND RECEIVER SECURITY CODE

8.1 SETTING THE TRANSMITTER

- Remove the sliding cover from the back of the Transmitter (see Fig.19). The coding switches are located under the slide of back cover (see Fig. 19).
- Using a pen or similar instrument, move the code switches so as to form a random looking pattern. For example switches 1,2,5,7,8,10 and 11 in the off position and 3,4,6,9,12 in the on position (see Fig. 19). The selected pattern forms the Transmitter Code.
- Connect the 9V Battery to Transmitter. Slide the back cover back into position.

8.2 STORING THE TRANSMITTER CODE INTO THE CONTROLLER'S RECEIVER

The memory in the controller's receiver can store up to 60 different transmitter codes.

- Press and hold the Blue Code Set Button on the Control Panel (see Fig. 20).
- Press the Transmitter Button for approximately two seconds. Pause for 2 seconds. Press the Transmitters Button again for approximately two seconds.
- Release the Code Set Button.
- Press the Transmitter Button to see if it operates the door.
- Uncoil the Antenna Wire and stretch it out against the Garage Wall in a horizontal or vertical direction (try and keep the antenna wire away from metal objects). Secure wire with suitable fasteners. Do not cut the antenna wire or coil up.

IMPORTANT: Only operate the Garage Door Opener when the Garage Door is in full view and free from obstructions.

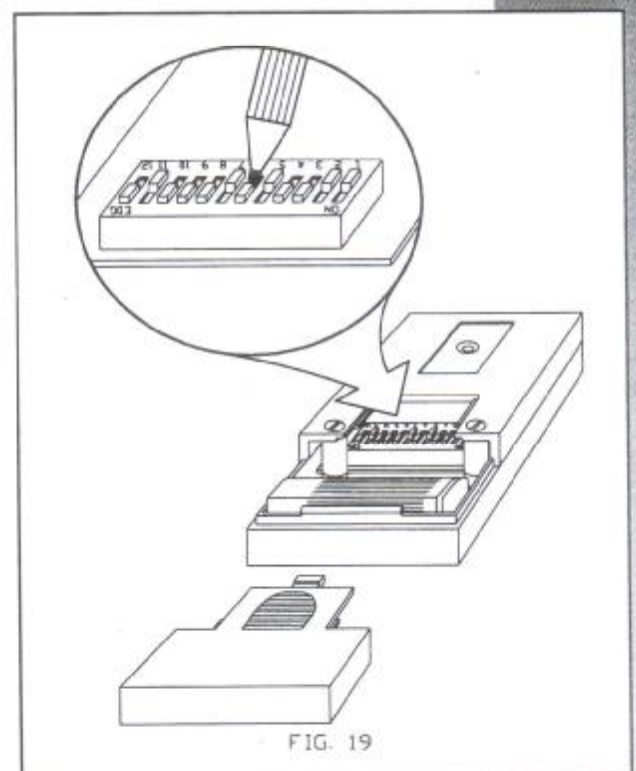


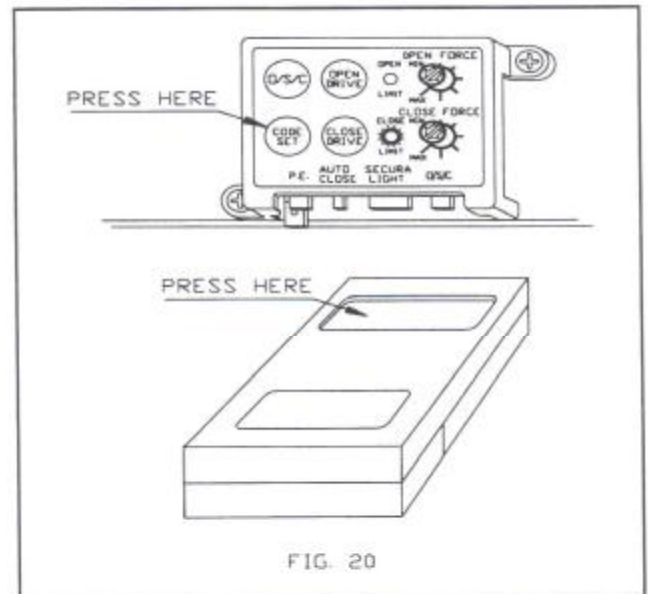
FIG. 19

Installation cont...

8.3 DELETING THE TRANSMITTERS CODE FROM THE CONTROLLERS RECEIVER

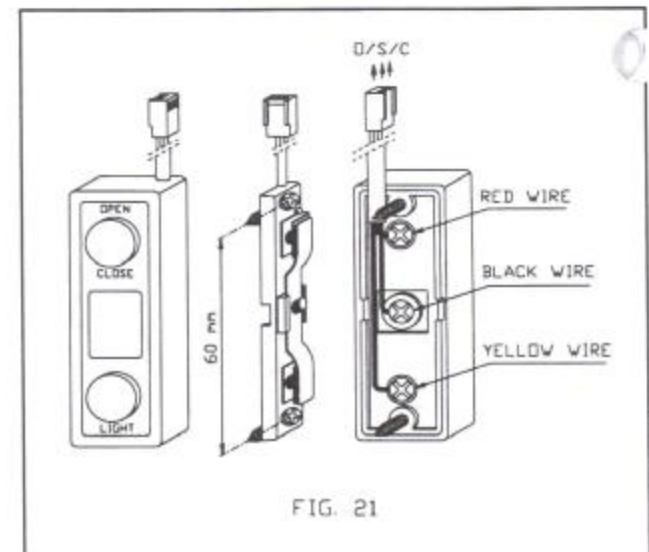
If you only want to delete one transmitter code stored then use step 8.3a to d. Use step 8.3e to h if you want to delete all the stored transmitter codes.

- Select the transmitter(s) you want to delete from memory.
- Press and hold the Blue Code Set Button on the Control Panel (see Fig. 20).
- Press the Transmitter Button for approximately two seconds. Pause for two seconds. Press the transmitters Button again for approximately two seconds.
- Release the Code Set Button. The code should now be deleted. Confirm this by pressing the transmitter button to see if it can operate the door.
- Turn the Power Off to the Drive Unit.
- Press and hold the Blue Code Set Button on the Control panel.
- Turn the Power back On again.
- Release the Code Set Button after three seconds. All the Stored codes should be now deleted. Confirm this by trying to operate the door by pressing one of the deleted transmitters.



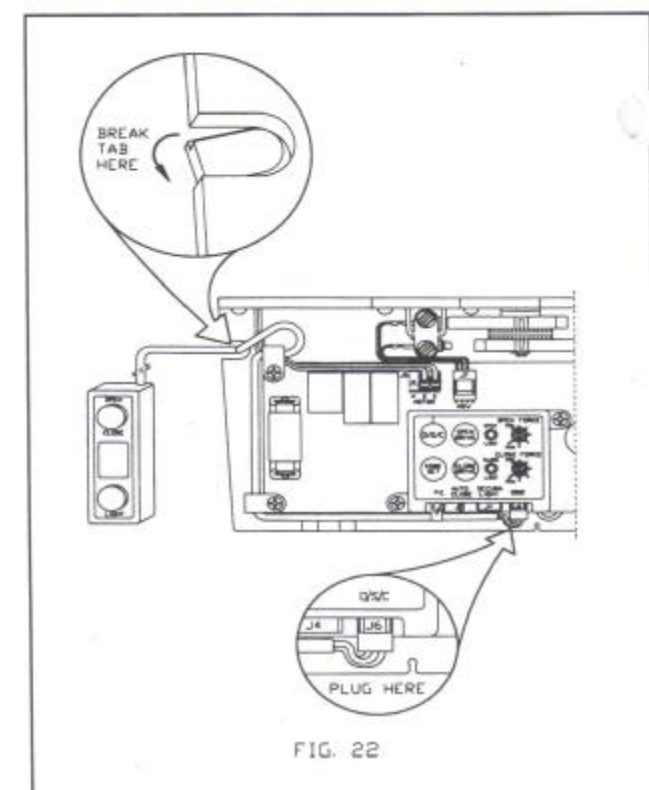
9. FITTING WALL SWITCH

- Remove the front cover from the Wall Switch. Take note of the orientation of the Switch, the Open/Close Button must be to the top when mounting to the wall.
- Locate the Wall Switch in a convenient position. Make sure that you mount the Switch higher than a child can reach and in a position where the door is clearly visible.
- Connect the three wires, and secure to wall with the two screws provided (see Fig. 21).
- Connect plug from the wall switch wire to the connector marked O/S/C (J6) on the control board.



NOTE: The descriptions (e), (f) and Fig. 22 are for Right Hand Installation. For Left Hand Installation break the tab and use the cable restrainers on the opposite side.

- Secure wall switch wire to the control board with the cable restrainer provided.
- Break away the plastic tab with a pair of pliers to create an exit point for the wire from the Drive Unit (see Fig. 22)
- Check the exit point of the wire from the switch base and remove material from the front cover of switch, so that the cover does not cut through the wire.
- Reposition the two buttons in the front cover and refit over the switch base by pushing on cover.
- Fasten wire to wall with suitable fasteners. Make sure not to break through the wire insulation when fastening. Breaking the insulation will create a short in the wire.
- Refit the light diffuser.
- Test the operation of the switch by pressing the Open/Close Button to move the door.
- While the door is stationary press the Light Button to turn the light on the opener On and Off.



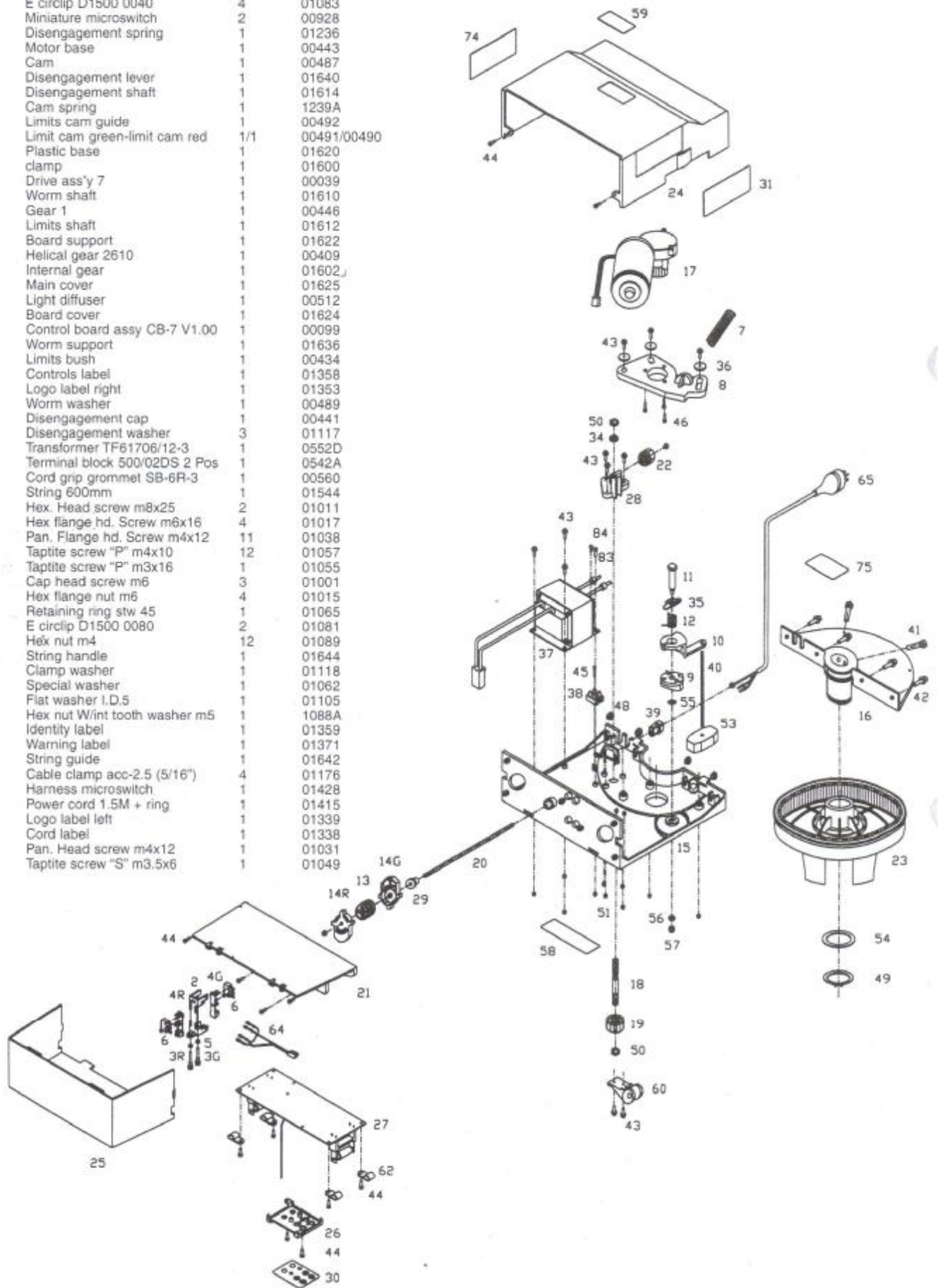
faults and Remedies

SYMPTOMS	POSSIBLE CAUSE	REMEDY
Door will not operate	<input type="checkbox"/> Main power not turned on <input type="checkbox"/> Door is obstructed	<input type="checkbox"/> Turn on <input type="checkbox"/> Remove obstruction
Door is locked or motor jammed		<input type="checkbox"/> Unlock door
Door will not reverse	<input type="checkbox"/> Door reversing sensitivity not adjusted properly	<input type="checkbox"/> Re-adjust reversing sensitivity (Ref installation instructions Step 7.1)
Door moves downwards and reverses itself upward	<input type="checkbox"/> Door reversing sensitivity not adjusted properly	<input type="checkbox"/> Re-adjust reversing sensitivity (Ref installation instructions Step 7.1)
Door operates from drive unit but not from hand transmitter	<input type="checkbox"/> Indicator on transmitter not lighting <input type="checkbox"/> Code not stored in controlling receiver <input type="checkbox"/> Drive unit aerial wire not extended <input type="checkbox"/> Battery flat <input type="checkbox"/> Radio interference	<input type="checkbox"/> Battery flat or battery leads broken <input type="checkbox"/> Refer to installation instructions—Step 8.2 <input type="checkbox"/> Extend aerial wire <input type="checkbox"/> Replace battery <input type="checkbox"/> Return operator to place of purchase for frequency upgrade (charges apply)
Door open/closes by itself	<input type="checkbox"/> Incorrect coding	<input type="checkbox"/> Change the numerical coding on transmitter and receiver (please ensure at least 4 switches are in the on position)
Door does not close fully	<input type="checkbox"/> Limit microswitch incorrectly adjusted	<input type="checkbox"/> Re-adjust limit switch (refer to installation instructions—Step 5)
Door does not open fully	<input type="checkbox"/> Limit microswitch incorrectly adjusted	<input type="checkbox"/> Re-adjust limit switch (refer to installation instruction—Step 5)
Lights not functioning	<input type="checkbox"/> Globe blown	<input type="checkbox"/> Replace globe
Globes keep blowing	<input type="checkbox"/> Incorrect globe	<input type="checkbox"/> Replace with 24VDC 15 Watts Festoon Globe

Parts List

16020

Item No	Description	Req'd	Order Code
2	Limits Base	1	01626
3	Adjustment screw, green/red	1/1	01630/01628
4	Switch holder green/red	1/1	01634/01632
5	E circlip D1500 0040	4	01083
6	Miniature microswitch	2	00928
7	Disengagement spring	1	01236
8	Motor base	1	00443
9	Cam	1	00487
10	Disengagement lever	1	01640
11	Disengagement shaft	1	01614
12	Cam spring	1	1239A
13	Limits cam guide	1	00492
14	Limit cam green-limit cam red	1/1	00491/00490
15	Plastic base	1	01620
16	clamp	1	01600
17	Drive ass'y 7	1	00039
18	Worm shaft	1	01610
19	Gear 1	1	00446
20	Limits shaft	1	01612
21	Board support	1	01622
22	Helical gear 2610	1	00409
23	Internal gear	1	01602
24	Main cover	1	01625
25	Light diffuser	1	00512
26	Board cover	1	01624
27	Control board assy CB-7 V1.00	1	00099
28	Worm support	1	01636
29	Limits bush	1	00434
30	Controls label	1	01358
31	Logo label right	1	01353
34	Worm washer	1	00489
35	Disengagement cap	1	00441
36	Disengagement washer	3	01117
37	Transformer TF61706/12-3	1	0552D
38	Terminal block 500/02DS 2 Pos	1	0542A
39	Cord grip grommet SB-6R-3	1	00560
40	String 600mm	1	01544
41	Hex. Head screw m8x25	2	01011
42	Hex flange hd. Screw m6x16	4	01017
43	Pan. Flange hd. Screw m4x12	11	01038
44	Taptite screw "P" m4x10	12	01057
45	Taptite screw "P" m3x16	1	01055
46	Cap head screw m6	3	01001
48	Hex flange nut m6	4	01015
49	Retaining ring stw 45	1	01065
50	E circlip D1500 0080	2	01081
51	Hex nut m4	12	01089
53	String handle	1	01644
54	Clamp washer	1	01118
55	Special washer	1	01062
56	Flat washer I.D.5	1	01105
57	Hex nut W/int tooth washer m5	1	1088A
58	Identity label	1	01359
59	Warning label	1	01371
60	String guide	1	01642
62	Cable clamp acc-2.5 (5/16")	4	01176
64	Harness microswitch	1	01428
65	Power cord 1.5M + ring	1	01415
74	Logo label left	1	01339
75	Cord label	1	01338
83	Pan. Head screw m4x12	1	01031
84	Taptite screw "S" m3.5x6	1	01049




Technical Specifications

INPUT VOLTAGE:	230 V / 240 V AC 50 Hz (110V AC 60 Hz or 127V AC 60 Hz available on request) Single Phase	
	Current Required	1 Amp
TRANSFORMER SPEC.:	Primary Voltage	230 / 240 V AC
	Secondary Voltage	24 V AC / 100 VA
MOTOR SPEC.:	Motor Type	Permanent Magnet D.C. Motor
	Voltage	24 V DC
	Torque	135 kg cm at 4 Amps
CONTROL BOARD SPEC.:	Relay Contact Rating	10 Amp / 30 V DC
	Relay Coil Voltage	24 V DC
	Control Board Voltage	24 V DC / 5 V DC
	Light Globe Voltage	24 V DC / 15 Watts
	Receiver Specification	Receiver Type
		Narrow Band FM (Superhetrodyne)
	RF Frequency	27.145 Mhz
	Intermediate Frequency	455 Khz
	Code Storage Capacity	60 Different Codes
TRANSMITTER SPEC.:	Carrier Frequency	27,145 MHz
	Current Consumption	50 mA (approx)
	Battery Voltage	9 Volts
	Coding Format	PCM 12 Bit Binary (4096 Code Combinations)
OPENER LIFTING CAPACITY:	30 kg	


Accessories

TX SERIES HANDHELD TRANSMITTERS




One, Two & Four Channel

PTXA SERIES PENDANT TRANSMITTERS




One, Two & Four Channel


CRXA-1/2 SERIES RECEIVERS



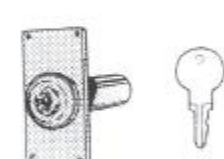
PE-2 PHOTO ELECTRONIC BEAMS



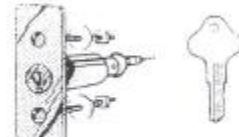
KPX-4/KP-4 WIRELESS DIGITAL KEYPADS




ELECTRONIC KEY RELEASE



MECHANICAL KEY RELEASE



SECURLIGHT MONITOR



****Warranty and Exclusion of Liability****

Subject to all of the matters set out below, Automatic Technology Australia Pty Ltd ("ATA") WARRANTS for twenty four months from the date of purchase (specified in the receipt sales docket) that the Roll Up Door Opener contained in the accompanying packaging (the "Product") is free of any defects in material and workmanship rendering it unmerchantable.

This warranty referred to above applies only where:

a) the consumer seeking to rely on the said warranty;

i) returns the Product which it claims to be defective; and

ii) presents the relevant sales docket and this warranty document,

to the retailer from whom the Product was purchased to confirm that date of purchase; and

b) the purchaser notifies ATA or the retailer from whom the Product was purchased of the alleged defect in the Product immediately upon experiencing or learning of the alleged defect.

Except for the express warranty against defects in material and workmanship set out above, ATA gives no warranties of any kind whatsoever, whether express or implied or whether statutory or at common law, in relation to the Product, and all warranties of fitness for a particular purpose and other warranties of whatsoever kind relating to the Product are hereby disclaimed. Without limiting the generality of the foregoing, ATA disclaims any liability of whatsoever nature in respect of any claim or demand for loss or damage which arises out of;

a) accidental damage to or normal wear and tear to the Product or to the Product's components;

b) flood, fire or lightning;

c) incorrect, improper or unreasonable maintenance and/or use;

d) installation, adjustment or use other than by ATA which is not in accordance with the instructions set out in installation instructions incorporated in the document;

e) attempted or completed modifications or repairs to the Product carried out by a person who is not authorised by ATA to carry out such modifications or repairs;

f) faulty or unsuitable wiring of structures to which the Product is fixed or connected; and

g) radio (including citizen band transmissions) or any electronic interference.

ATA's liability under the warranty set out above is limited, at ATA's absolute option, to replacing or repairing the Product which ATA, in its unfettered opinion, considers to be defective either in material and/or workmanship or to credit the consumer with the price at which the Product was purchased by the consumer.

Where the Product is retailed by any person other than ATA, except for the warranty set out above, such person has no authority from ATA to give any warranty or guarantee on ATA's behalf in addition to the warranty set out above.

AUTOMATIC TECHNOLOGY AUSTRALIA PTY LTD

17-19 Advantage Rd, Highett, Victoria, Australia, 3190.

Ph: (03) 9532 2788 Fax: (03) 9532 2799